

**KK11-A
cache memory
user's guide**

The drawings and specifications herein are the property of Digital Equipment Corporation and shall not be reproduced or copied or used in whole or in part as the basis for the manufacture or sale of equipment described herein without written permission.

Copyright © 1978 by Digital Equipment Corporation

The material in this manual is for informational purposes and is subject to change without notice. Digital Equipment Corporation assumes no responsibility for any errors which may appear in this manual.

Printed in U.S.A.

This document was set on DIGITAL's DECset-8000 computerized typesetting system.

The following are trademarks of Digital Equipment Corporation, Maynard, Massachusetts:

DIGITAL	DECsystem-10	MASSBUS
DEC	DECSYSTEM-20	OMNIBUS
PDP	DIBOL	OS/8
DECUS	EDUSYSTEM	RSTS
UNIBUS	VAX	RSX
	VMS	IAS

CONTENTS

	Page
PREFACE	
CHAPTER 1 INTRODUCTION	
1.1 OVERVIEW.....	1-1
1.2 PHYSICAL DESCRIPTION.....	1-1
1.3 SYSTEM ARCHITECTURE.....	1-1
1.4 CACHE MEMORY ORGANIZATION.....	1-1
1.4.1 Addressing Cache.....	1-3
1.4.2 Multiprocessing.....	1-4
1.4.3 NPR Memory References.....	1-5
1.4.4 Unibus Registers.....	1-5
1.4.5 Performance.....	1-5
CHAPTER 2 INSTALLATION	
2.1 SCOPE.....	2-1
2.2 UNPACKING AND INSPECTION.....	2-1
2.2.1 Unpacking.....	2-1
2.2.2 Inspection.....	2-2
2.3 PRE-INSTALLATION CHECK.....	2-2
2.4 BA11-KA MOUNTING BOX INSTALLATION PROCEDURE.....	2-2
2.5 BA11-L MOUNTING BOX INSTALLATION PROCEDURE.....	2-6
2.6 OPERATION.....	2-7
2.7 CHECKOUT PROCEDURES.....	2-7
CHAPTER 3 SERVICE	
3.1 MAINTENANCE PHILOSOPHY.....	3-1
3.2 SYSTEM MAINTENANCE AND TESTING.....	3-1
3.3 TROUBLESHOOTING GUIDELINES.....	3-1

FIGURES

Figure No.	Title	Page
1-1	General System Architecture.....	1-2
1-2	Cache Memory Format.....	1-2

FIGURES (Cont)

Figure No.	Title	Page
1-3	Direct Mapping Cache Memory System	1-3
2-1	Cache Installation Diagram.....	2-3
2-2	Power/Configuration Schematic	2-5
3-1	Troubleshooting Flowchart.....	3-3
3-2	Backplane Jumpers	3-8

TABLES

Table No.	Title	Page
1-1	Cache Responses to Hit/Miss Operations.....	1-4
2-1	+5 V Power Consumption For Some Common Options.....	2-4
3-1	Maintenance Equipment Required	3-1

PREFACE

This manual describes the KK11-A Cache Memory option to the KD11-EA central processing unit of the PDP-11/34A system. The user must be familiar with the KD11-EA to completely understand the contents of this manual.

The following documents are useful references:

- KD11-EA Central Processor Maintenance Manual (EK-KD1EA-MM-001)**
- KD11-EA Print Set (MP00043)**
- KK11-A Print Set (MP00574)**
- BA11-K Print Set**
- KY11-LB Programmer's Console/Interface Module Operation and Maintenance Manual (EK-KY1LB-MM-001)**

CHAPTER 1 INTRODUCTION

1.1 OVERVIEW

The KK11-A is a cache memory option to the PDP-11/34A's KD11-EA processor. The cache is a small, high-speed memory that maintains a copy of previously selected portions of main memory; it is designed to decrease central processing unit (CPU) to memory read access time.

1.2 PHYSICAL DESCRIPTION

The KK11-A is implemented on a hex multilayer module (M8268) that contains a 1024-word, high-speed random access memory (RAM) organized as a direct mapped cache with write-through compatible with the current version of the PDP-11/34A. The M8268 module interfaces to the KD11-EA processor (M8265 module) via a 40-pin over-the-top connector (H8821 or H8822). The only power required is 5 Vdc at 4 A maximum (Figure 2-2).

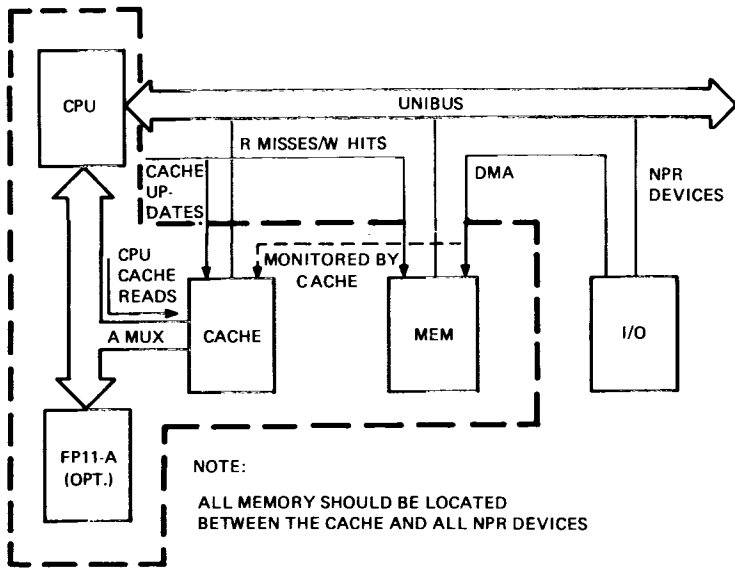
1.3 SYSTEM ARCHITECTURE

Cache operates as an associative memory in parallel with the Unibus main memory but with its own high-speed data path (AMUX lines that are also used by the FP11-A – a floating-point option). Cache reads by the CPU result in data being transmitted over the AMUX lines. Read misses (desired data is not present in cache) and write hits (bus address and cache location match) which result in cache updates are accomplished by the cache capturing the data from the Unibus as the CPU/main memory transaction occurs. Direct memory access (DMA) transfers to memory are also monitored by the cache (Figure 1-1).

1.4 CACHE MEMORY ORGANIZATION

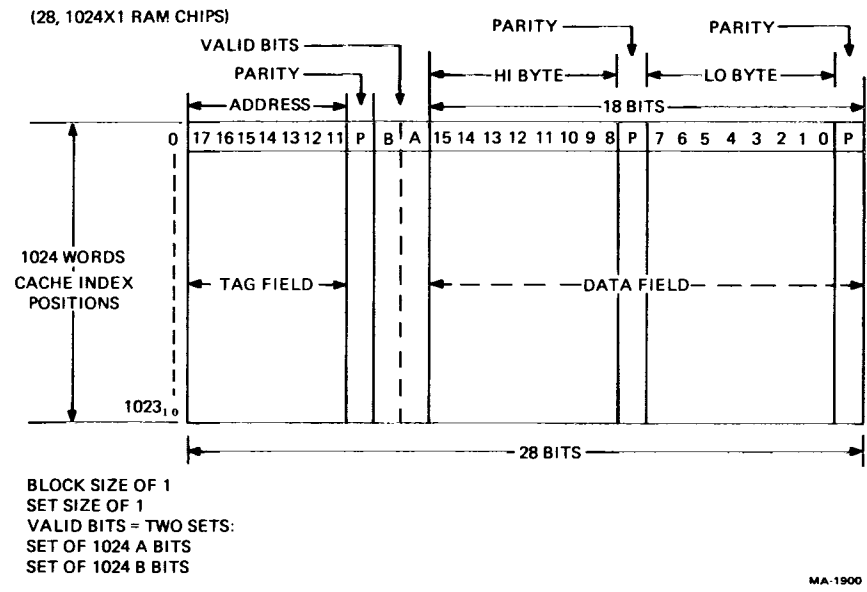
Cache memory consists of twenty-eight 1024×1 RAM chips arranged as shown in Figure 1-2. Specific implementation of the cache memory organization for the PDP-11/34A is as follows.

Cache Characteristics	PDP-11/34A Implementation
Address mechanism	Direct mapping – allows each word from main memory only one possible location in cache. Requires only one address comparison (Figure 1-3).
Block size	Block size of one – every time a fetch to the backing store (main memory) occurs, only one word is allocated to cache in the event of a miss.
Set size	Set size of one – there is one unique location in cache for any given word from backing store. If a miss occurs, only one cache location is available for data to be written into.
Write-through	Data from a write operation is written into cache and simultaneously copied into main memory. Maintains main memory (backing store) with a valid copy of all data.



MA-1896

Figure 1-1 General System Architecture



MA-1900

Figure 1-2 Cache Memory Format

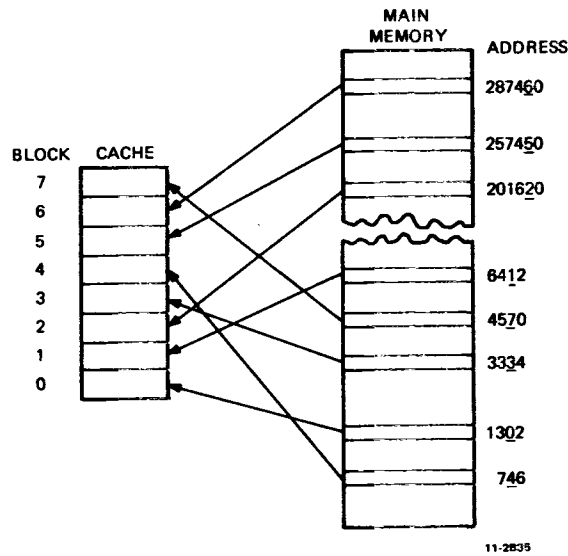
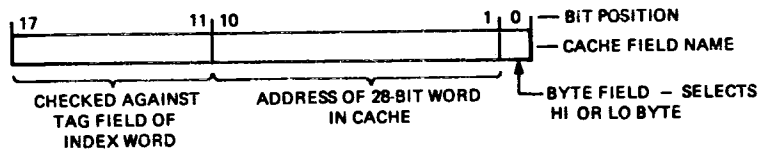


Figure 1-3 Direct Mapping Cache Memory System

The 1024 cache index positions contain 28 bits each. The tag field contains seven address bits. Each position contains a tag parity bit and two valid bits. One valid bit is currently active, allowing the other bit to be cleared concurrently. The use of two sets of valid bits allows the cache to be flushed (cleared) by switching to the second previously cleared bit set and then clearing the first set of valid bits. This method allows the use of one set of valid bits while the other set is being cleared, useful in multi-processing applications. The data field of the index position consists of two 8-bit bytes of data, each with byte parity.

1.4.1 Addressing Cache

When addressing cache, the PDP-11/34A uses an 18-bit address formatted as shown below.



The lower part of the address (10:1) is applied against the 1K cache matrix and the high-order bits (17:11) are checked against the tag field of the index word obtained (data field in cache). If the tag field in the address matches the tag field stored with the data in cache, a hit is designated. If the fields do not match, it is designated as a miss.

The processor always looks for data in the fast cache memory first.

- If a CPU hit occurs during a read non-bypass mode (Table 1-1) data is read from cache; in bypass mode, cache is invalidated.
- If a CPU hit occurs during a write non-bypass mode, data is written into cache; in bypass mode, cache is invalidated.
- If a CPU miss occurs during a read non-bypass mode, data and tag are written into cache; in bypass mode, cache is not affected.
- If a CPU miss occurs during a CPU write non-bypass or bypass mode, cache is not affected.

Table 1-1 Cache Responses to Hit/Miss Operations

Mode	DMA Miss*	DMA Hit*	CPU Hit	CPU Miss
<u>Read</u> Bypass	Not Affected	Not Affected	Cache Read	Write Data Write Tag Write Valid
Read Bypass	Not Affected	Invalidate (UCB)†	Invalidate	Not Affected
Write Bypass	Not Affected	Invalidate (UCB)†	Invalidate	Not Affected
<u>Write</u> Bypass	Not Affected	Invalidate	Write Data Write Valid	Not Affected

*DMA hit/miss operations are discussed in Paragraph 1.4.3.

†UCB = Unconditional bypass

1.4.2 Multiprocessing

Additional functionality is required to perform multiprocessing.

- **Unconditional Cache Bypass**
In bypass mode, all memory references are forced to be misses and to invalidate (clear valid bit) on cache hits.
- **Conditional Cache Bypass***
A virtual page can be defined such that all memory references to that page by the CPU result in being bypassed.
- **LOCK (ASRB) Instruction***
Guaranteed ownership of the cache for the duration of the destination operand cycle; must operate in bypass mode.

*Not implemented in the KD11-EA Processor.

1.4.3 NPR Memory References

- If a DMA hit occurs during a read non-bypass mode, the cache is not affected; in bypass mode, cache is invalidated (unconditional cache bypass) Table 1-1.
- If a DMA hit occurs during a write non-bypass mode or bypass mode, cache is invalidated.
- If a DMA miss occurs during a read or write bypass and non-bypass modes, cache is not affected.

1.4.4 Unibus Registers

The following hardware registers are implemented in the cache.

- **Cache Memory Error Register (CME)**
Address 777 744
Parity error detection of cache memory, high byte, low byte, and tag.
- **Cache Control Register (CCR)**
Address 777 746
The state of specific CCR bits control (1) valid, UCB, and flush cache, (2) the response of the cache to parity errors, and (3) the occurrence of CPU forced misses.
- **Cache Maintenance Register (CMR)**
Address 777 750
Contains one read/write bit used for memory system maintenance.
- **Cache Hit Register (CHR)**
Address 777 752
Contains the seven bits of the tag store memory of the last valid access and indicates the number of cache hits on the last six CPU accesses to non-I/O page memory.

1.4.5 Performance

The cache system is intended to simulate a system having a large amount of moderately fast memory. Therefore, the system contains a small amount of very fast memory (cache) and a large amount of slow memory (backing store). The cache system works because it can successfully predict which words a program will require most of the time. Program behavior is such that cache hits should occur 85 to 90 percent of the time, substantially decreasing average access time.

Unibus Transactions – For a normal memory read (MM11-DP), BUS BUSY is asserted for 1.2 μ s. A cache hit read results in the CPU asserting BUS BUSY for approximately 450 ns. Thus, for every cache hit, about 750 ns are saved.

CHAPTER 2 INSTALLATION

2.1 SCOPE

Information for installing the KK11-A Cache Memory option and checkout procedures to ensure proper operation of the cache and the system are provided in this chapter.

The following tools are required:

- No. 2 Phillips screwdriver
- Multimeter with ohm capability
- Diagonal cutting pliers
- Soldering iron, 40 watt
- Solder sucker
- Spares kit (Control Distribution)
- Wire-wrap tools

2.2 UNPACKING AND INSPECTION

NOTE

Customer should not unpack the cache memory option unless a DIGITAL representative is present; to do so voids the warranty.

2.2.1 Unpacking

If the customer's receiving area procedures require it and/or to facilitate inventory, the shipment may be moved to the computer area. Otherwise, unpacking and inventory must be done in the receiving area.

Follow steps 1 through 4 to unpack the shipment.

1. Ensure that the shipping container is sealed. If container is open, notify the customer and record it on the installation report or LARS form.
2. Check the shipment against the packing list to ensure that the correct number of containers has been received and that they are the correct ones. If the shipment is incorrect, notify the customer and the branch service manager or supervisor. The customer should check with the carrier to try and locate the missing item(s).
3. Check all containers for external damage. If any damage is found, notify the customer and record it on the installation report or LARS form.

4. Open containers one at a time, starting with the one marked "OPEN ME FIRST." Inventory the contents of each package with its packing slip and record any missing items on the installation report.

NOTE

Packing materials such as foam fillers and plastic inserts should be retained if reshipment is contemplated.

2.2.2 Inspection

Inspect each component for damage, e.g., scratches, chips, or breaks. Report any damage to the customer and record it on the installation report. Report any damaged components that require replacement immediately to the branch service manager.

2.3 PRE-INSTALLATION CHECK

The KK11-A cannot be installed unless the CPU is a PDP-11/34A. Inspect the serial number tag for proper CPU verification. Ensure that the CPU is operating properly by running the following diagnostics.

DFKAA	PDP-11/34 basic instruction test
DKKTH	KT exerciser (PDP-11/34)
CZQMC	0-124K memory exerciser (16K)

The KK11-A cache memory option for the PDP-11/34A consists of the following:

M8268	Cache module
H8821	20-pin over-the-top (OTT) connector
H8822	20-pin over-the-top (OTT) connector

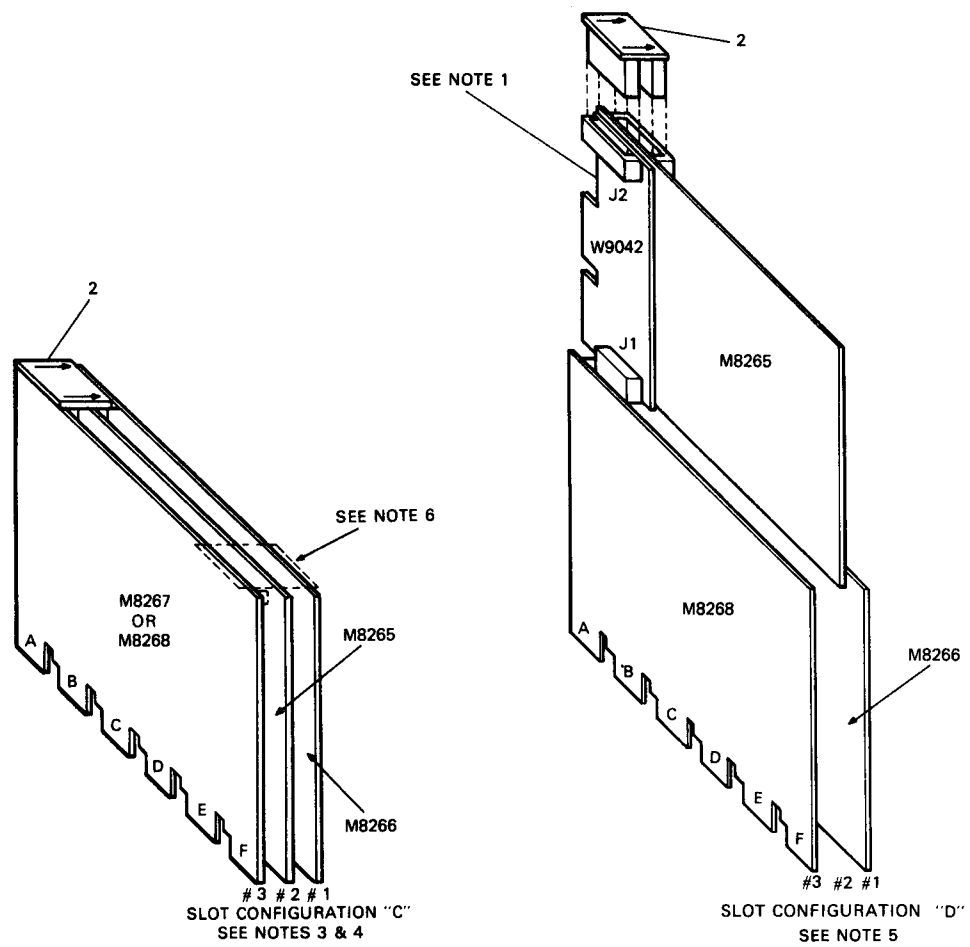
2.4 BA11-KA MOUNTING BOX INSTALLATION PROCEDURE

The BA11-KA mounting box is capable of delivering 64 A of +5 Vdc, which is supplied by two H7441 regulators. The +5 V is distributed to the backplane in the BA11-KA via five Mate-N-Lok connectors. One H7441 +5 Vdc regulator supplies two Mate-N-Lok connectors; the other H7441 +5 Vdc regulator supplies the remaining three Mate-N-Loks. The PDP-11/34A CPU backplane, DD11-PK, attaches to the BA11-KA power distribution board via connectors J9 and J11, thus allowing the CPU backplane the full capabilities of one H7441 regulator (i.e., 32 A of +5 Vdc). To prevent overloading of the +5 Vdc, the current drain of the modules contained in the DD11-PK should not exceed 32 A (Table 2-1).

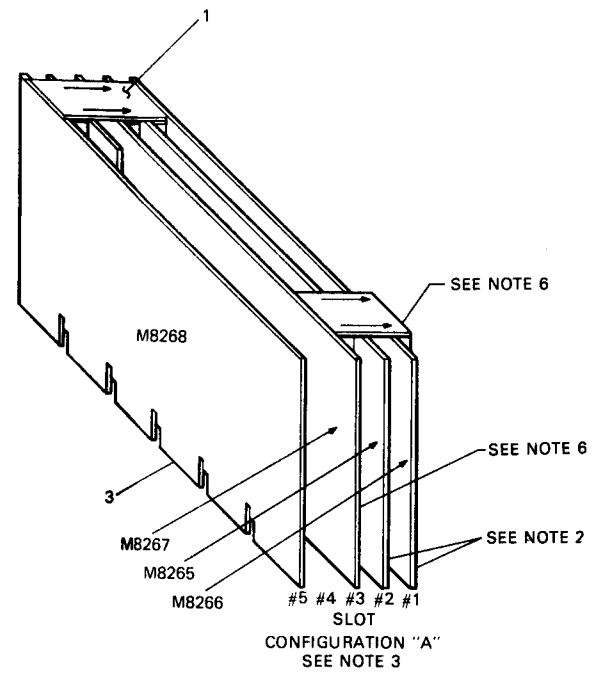
If the total current drain used by the devices in the BA11-KA exceeds 61 A without cache, an expander box will be needed (Figure 2-1).

NOTE

To prevent overloading of the +5 Vdc, the current drain should be calculated. The current drain should not exceed 32 A in the DD11-PK backplane.

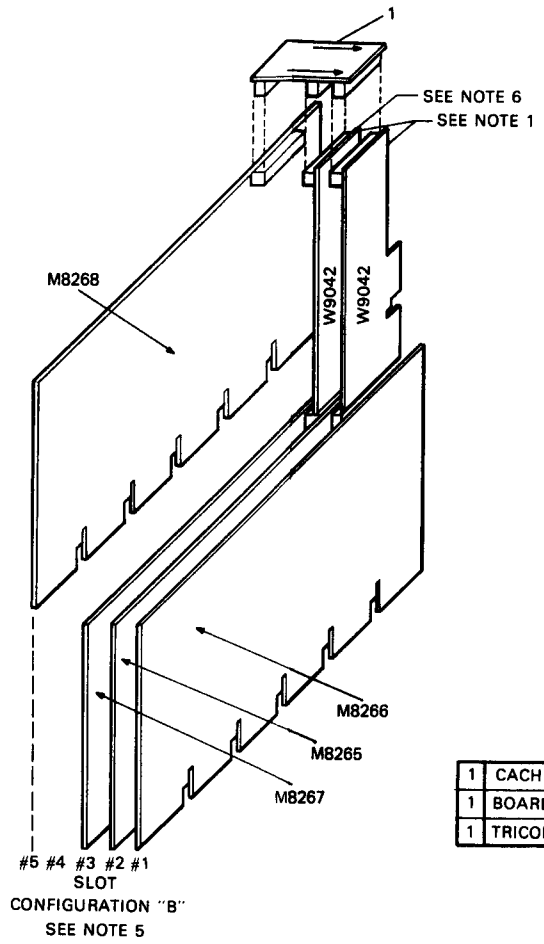


MA-2277



NOTES:

1. THE W9042 EXTENDER BOARD ASSY. IS STORED IN THE BACKPLANE AND IS USED FOR SOME MAINTENANCE OPERATIONS.
2. MODULES M8265 AND M8266 ARE PART OF KD11-EA AND ARE SHOWN FOR REF. ONLY.
3. ALL CONFIGURATIONS SHOWN ARE USED IN THE BA11-K (10.5in. BOX) OR BA11-L (5-1/4 BOX).
4. CONFIGURATION C SHOWS SLOT 3 UTILIZATION FOR EITHER KK11-A OR FP11-A WHEN ONLY ONE IS PRESENT.
5. CONFIGURATIONS B & D SHOW TYPICAL MAINTENANCE SET UP.
6. M8267, 5412416 AND W9042 ARE PART OF FP11-A AND ARE SHOWN FOR REF. ONLY.



PARTS LIST

1	CACHE MEMORY (KK11-A)	D-UA-M8268-0-0	3
1	BOARD, INTERCONN 40 PIN	D-UA-H8821-0-0	2
1	TRICONN BOARD	D-UA-H8822-0-0	1

MA-2278

Figure 2-1 Cache Installation Diagram

**Table 2-1 +5 V Power Consumption
For Some Common Options**

Option Number	Description	+5 VA	Mounting Code
AR11	10-bit A/D converter	4.0 A	Hex
DL11-WA/B	Line interface and clock	2.0 A	Quad
DR11-K	Digital I/O	2.5 A	Quad
DUP-11	Synchronous line interface	3.6 A	Hex
KY11-LB	Programmer's console/interface	3.0 A	Quad (in PDP-11/34 CPU backplane)
LA180	DECprinter I	1.5 A	Quad
MS11-FP	8K MOS memory	2.0 A	Hex
MS11-JP	16K MOS memory	2.0 A	Hex
MM11-CP	8K core memory	3.0 A	Hex Quad
MM11-DP	16K core memory	3.0 A	2 Hex
M7850	Parity control	1.0 A	DH* module
M9301	Bootstrap	2.0 A	DH* module
M9302	Unibus terminator	1.3 A	DH* module
RX11	Floppy disk	1.5 A	Quad
TMB11	Tape control	6.0 A	SU†
LP11W,V	Printer	1.5 A	Quad
MM11-YP	32K core memory	5.0 A	2 Hex
FP11-A	PDP-11/34 floating-point processor (FPP)	7.0 A	Hex
DL11A-E	Asynchronous line interface	1.8 A	Quad
DUI1	Synchronous line interface	2.0 A	Quad
KG11	CRC generator	1.2 A	Quad
RK11-D	RK05 controller	7.5 A	SU†
KD11-EA	PDP-11/34 A CPU	11.5 A	2 Hex
M9312	Bootstrap	2.0 A	DH module
RK611	RK06 controller	15.0 A	2SU†

*DH = double height.

†SU = single unit.

Perform the following steps when installing KK11-A with the FP11-A present.

1. Turn system power OFF.
2. Extend the BA11-KA mounting box from the system.
3. Remove the top cover by loosening the screw at the side, then slide the cover off.
4. If the KY11-LB is present, remove the two maintenance connectors from the M8266.
5. Remove the 54-12416 OTT connector from the M8266 and M8267 modules.
6. Remove the M8266 module from slot 1.
7. Visually verify that M8266 ECO No. 4 is installed by checking that resistor R2 is 1 kΩ.

NOTE

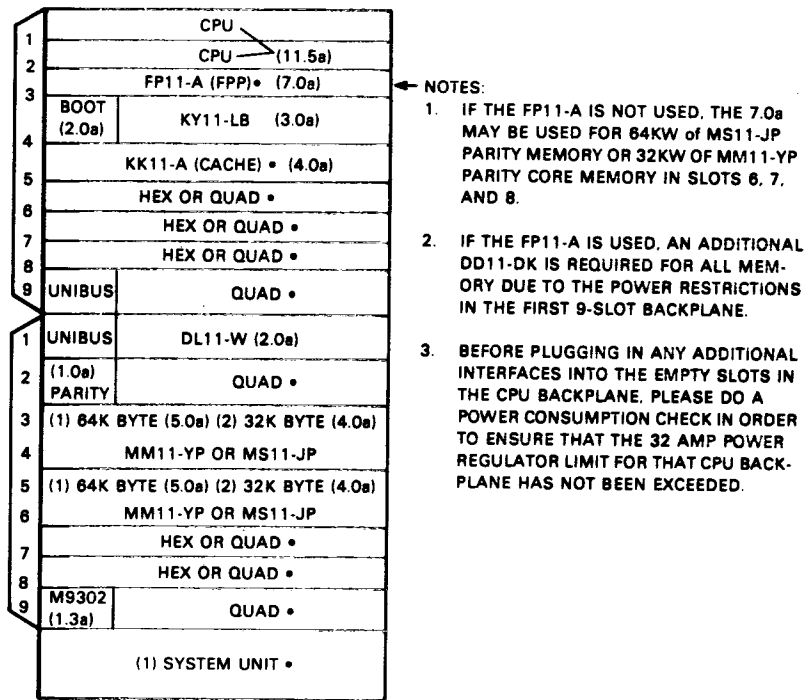
**Where R2 is less than 1 kΩ, install a 1 kΩ resistor
per instructions on M8266 ECO No. 4.**

8. Replace M8266 into slot 1 and replace the 54-12416 over-the-top connector.
9. Remove the H8821 connector from the M8265 and M8267 modules.

10. Remove any module in slot five and carefully reconfigure the modules in the DD11-PK backplane (Figure 2-2).
11. Insert the M8268 module into DD11-PK slot 5.

NOTE

To prevent overloading of the +5 Vdc, make sure that the current drain does not exceed 32 A. Calculate power consumptions using 4 A for KK11-A (cache), 7 A for FP11-A, and 11.5 A for KD11-EA.



MA-2279

Figure 2-2 Power/Configuration Schematic

12. Install the H8822 connector on the M8265, M8267, and M8268 modules (slots 2, 3, and 5, respectively). Make sure the arrow on this connector points toward slot 1.*
13. Check that both FORCE MISS switches S1 and S2 are on. Have both switch handles pointing toward the console.
14. Loosen both screws on the bottom of the BA11-KA mounting box and remove the cover.

*When using other than the M9301-YF bootstrap terminator, the handle of the bootstrap terminator may interfere with the H8822 connector. Therefore, carefully remove that part of the handle which interferes.

15. Check for continuity between backplane connection C01E1 and B02A1. This is the cache hit line; if not present, a jumper (30 gauge wire, DIGITAL P/N 91-05740) should be installed. Then recheck for continuity.
16. Replace the bottom and top covers, and slide the BA11-K into the system chassis.
17. Power-up the system.
18. Verify the CPU, cache, and FP11-A by running the diagnostics listed in Paragraph 2.7.

To install cache when the FP11-A is not present, perform the following steps.

1. Repeat steps 1 through 8.
2. Remove any module in slot 3 and carefully reconfigure the modules in the DD11-PK backplane (Figure 2-2).
3. Insert the M8268 cache module into slot 3 of the DD11-PK.
4. Install the H8821 connector on the M8265 and M8268 modules (slots 2 and 3, respectively). Make sure that the arrow on this connector points toward slot 1.*
5. Check that both FORCE MISS switches S1 and S2 are on. Have both BATT switches pointing toward the console.
6. Complete steps 14–18 in the previous procedure.

2.5 BA11-L MOUNTING BOX INSTALLATION PROCEDURE

The 13.3 cm (5 in) BA11-L mounting box can contain a power supply with either a 32 A or 25 A +5 V regulator. Use the following chart in determining whether you have the proper 32 A supply.

Current	Regulator
25 A	H777-AA -AB -BA -BB
32 A	H777-CB -CA -DA -DB

NOTE

To prevent overloading of the +5 Vdc, make sure that the +5 Vdc current consumption does not exceed the capacity of the regulator.

*When using other than the M9301-YF bootstrap terminator, the handle of the bootstrap terminator may interfere with the H8822 connector. Therefore, carefully remove that part of the handle which interferes.

Perform the following steps when installing the KK11-A in a BA11-L mounting box.

1. Slide the wire frame out of the wrap-around.
2. Turn CBI to off first, then turn the DC ON/DC OFF switch to DC OFF.
3. If the KY11-LB is present, remove the two maintenance connectors from the M8266 module.
4. Make sure that the DD11-PK is Rev C or later.
5. Remove the M8266 module from slot 1 and visually verify that ECO M8266 No. 4 (R2 = 1 k Ω) is installed.

NOTE

When R2 is less than 1 k Ω , change this resistor per instructions on M8266 ECO No. 4.

6. Replace M8266 into slot 1.
7. Remove any module in slot 3 and carefully reconfigure the system.
8. Insert the M8268 cache module into DD11-PK slot 3 or 5.
9. Install the H8821 or H8822 connector on the M8265 and M8268 modules (slots 2 and 3 or slots 2 and 5, respectively). Make sure arrow points toward slot 1.
10. Check that both FORCE MISS switches S1 and S2 are on. Have both switch handles pointing toward the console.
11. Reconnect the KY11-LB maintenance cable to the M8266 module.
12. Turn CBI on and slide the wire frame inside the wrap-around carefully.
13. Turn DC OFF to DC ON.
14. Verify CPU, memory, and cache by running the diagnostics listed in Paragraph 2.7.

2.6 OPERATION

The cache module is program transparent. The only observable effect while in operation will be reduced program run time.

2.7 CHECKOUT PROCEDURES

Run CPU and PDP-11/34A cache diagnostics for verification of the functionality of the options.

- PDP-11/34 Diagnostics

DFKAA	PDP-11/34	Basic instruction test
DFKAB	PDP-11/34	Traps test
DFKAC	PDP-11/34	EIS instruction test
DKKTH		KT exerciser (PDP-11/34)
CZQMC		0-124K memory exerciser (16K)

- **PDP-11/34A FPP Diagnostics**

DFFPB	PDP-11/34	FPP Diagnostic Part 1
DFFPB	PDP-11/34	FPP Diagnostic Part 2
DFFPC	PDP-11/34	FPP Diagnostic Part 3

- **PDP-11/34 Cache Diagnostics**

CFKKA	PDP-11/34	Cache diagnostics
-------	-----------	-------------------

The startup procedure is non-standard form. A "RUN" command is required in addition to the normal load and go at address 200.

Procedures are included with the diagnostic media.

- DEC/X11 monitor - the QABM monitor must be patched when the command "CON" for cache on is given.

The patch for this problem is:

MOD	13136	240
	13140	240

CHAPTER 3 SERVICE

3.1 MAINTENANCE PHILOSOPHY

The field maintenance and repair philosophy reflects a module replacement approach. Once the cache has been identified as the failing option in the PDP-11/34A system, the module should be replaced. The faulty cache is returned to the Maynard facility in Massachusetts or to European Depots for repair (whichever location is feasible). Because of the complexity of the cache module and its etch width, on-site component level repair is not encouraged. The standalone diagnostics should be run to detect the cache module failure.

3.2 SYSTEM MAINTENANCE AND TESTING

For a PDP-11/34A system that is unable to load diagnostics, use procedures in Chapter 6 of the *PDP-11/34A System User Manual* to diagnose the problem. Table 3-1 lists the maintenance equipment required to troubleshoot the cache.

Table 3-1 Maintenance Equipment Required

Equipment	Manufacturer	Model/Type/Part No.	DEC Part No.
Oscilloscope	Tektronix	453*	
Volt/Ohmmeter (VOM)	Triplet		29-13510
Unwrapping Tool	Gardner-Denver DEC Catalog #11812A	505 244 475	29-18387
Hand-Wrap Tool	Gardner-Denver DEC Catalog #11811A	A-20557-29	29-18301
Wire Strippers	Miller	101S	29-13467
Module Extender Boards (2)	DEC		W9042

*Tektronix type 453 oscilloscope is adequate for most test procedures; Type 454 or equivalent may be required for some measurements.

3.3 TROUBLESHOOTING GUIDELINES

The following guidelines are provided for debugging failures in the cache memory module installed in a PDP-11/34A system. Standard PDP-11/34A diagnostics should be run first before attempting to follow the procedures outlined in this section.

To verify the system integrity, run the following diagnostics in the sequence given below.

DFKAB	Traps Test (at lease Rev C)
DFKAA	PDP-11/34 CPU Test
DFKAC	EIS Test
CZQMC	0-124K Memory Exerciser

If the FP11-A option is included with the system, run the following diagnostics.

DFFPB	PDP-11/34 FPP Diagnostic - Part 1
DFFPB	PDP-11/34 FPP Diagnostic - Part 2
DFFPC	PDP-11/34 FPP Diagnostic - Part 3

The flowchart in Figure 3-1 is a helpful tool in troubleshooting the system.

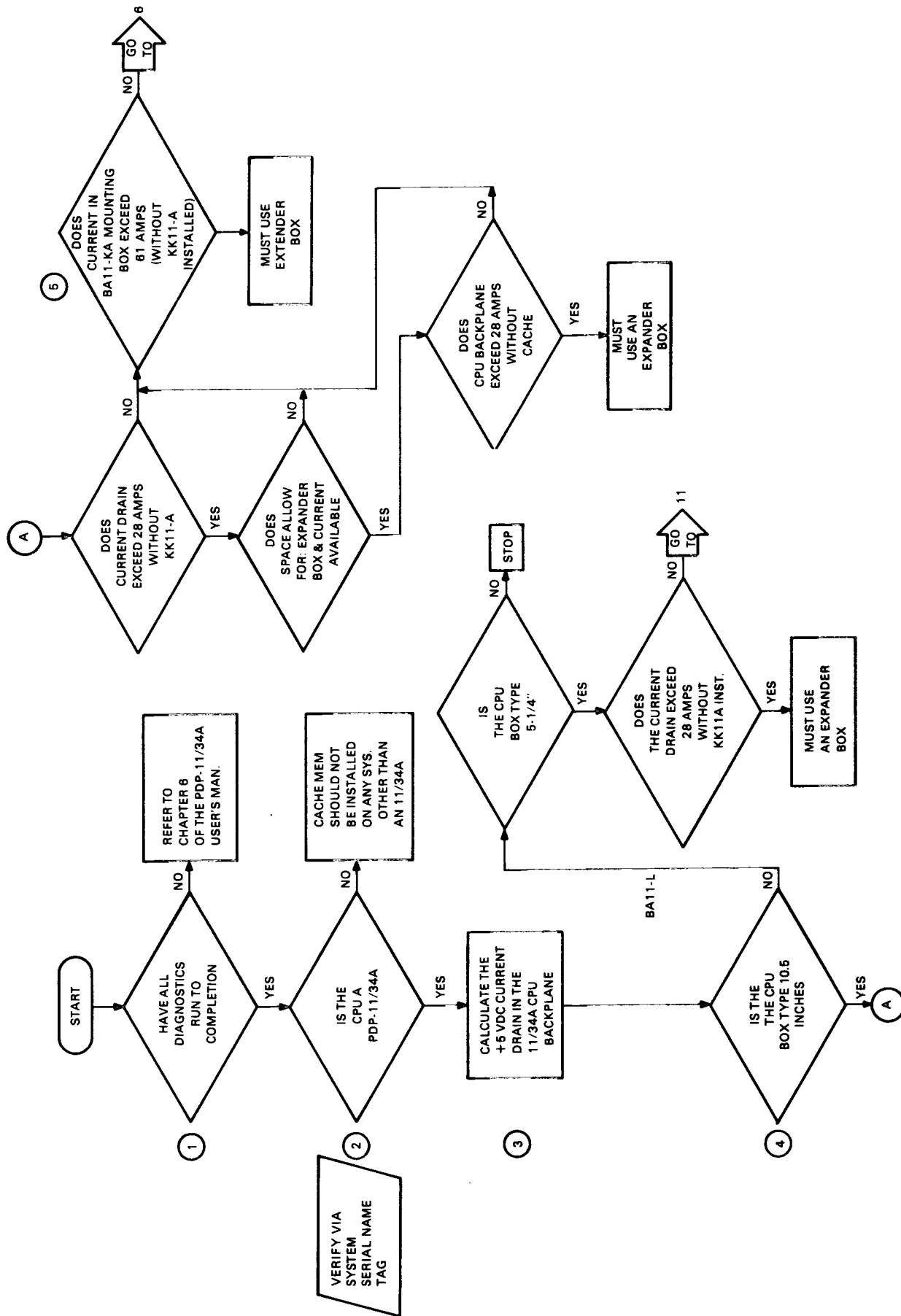
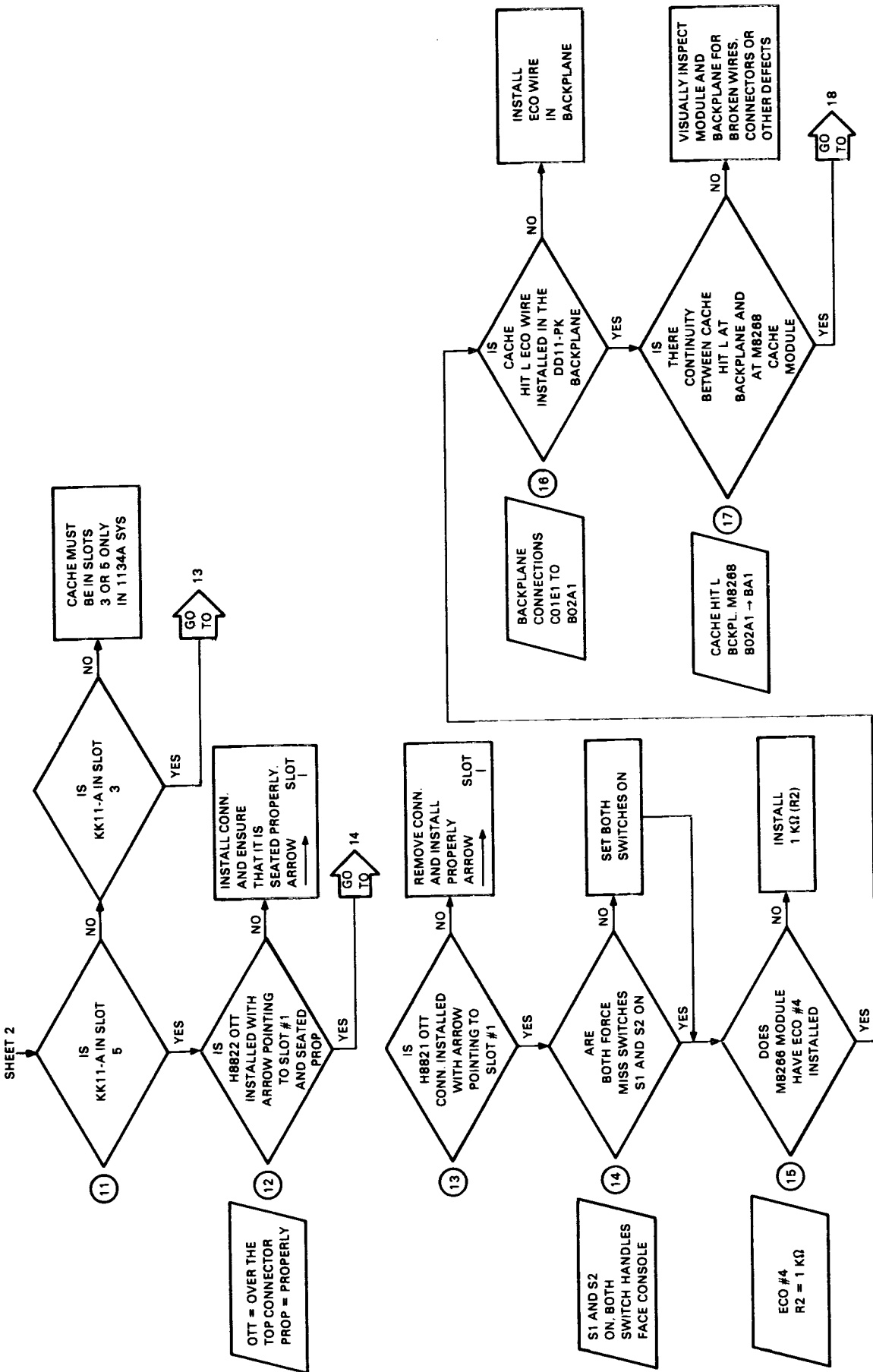


Figure 3-1 Troubleshooting Flowchart (Sheet 1 of 5)



MA-2263

Figure 3-1 Troubleshooting Flowchart (Sheet 3 of 5)

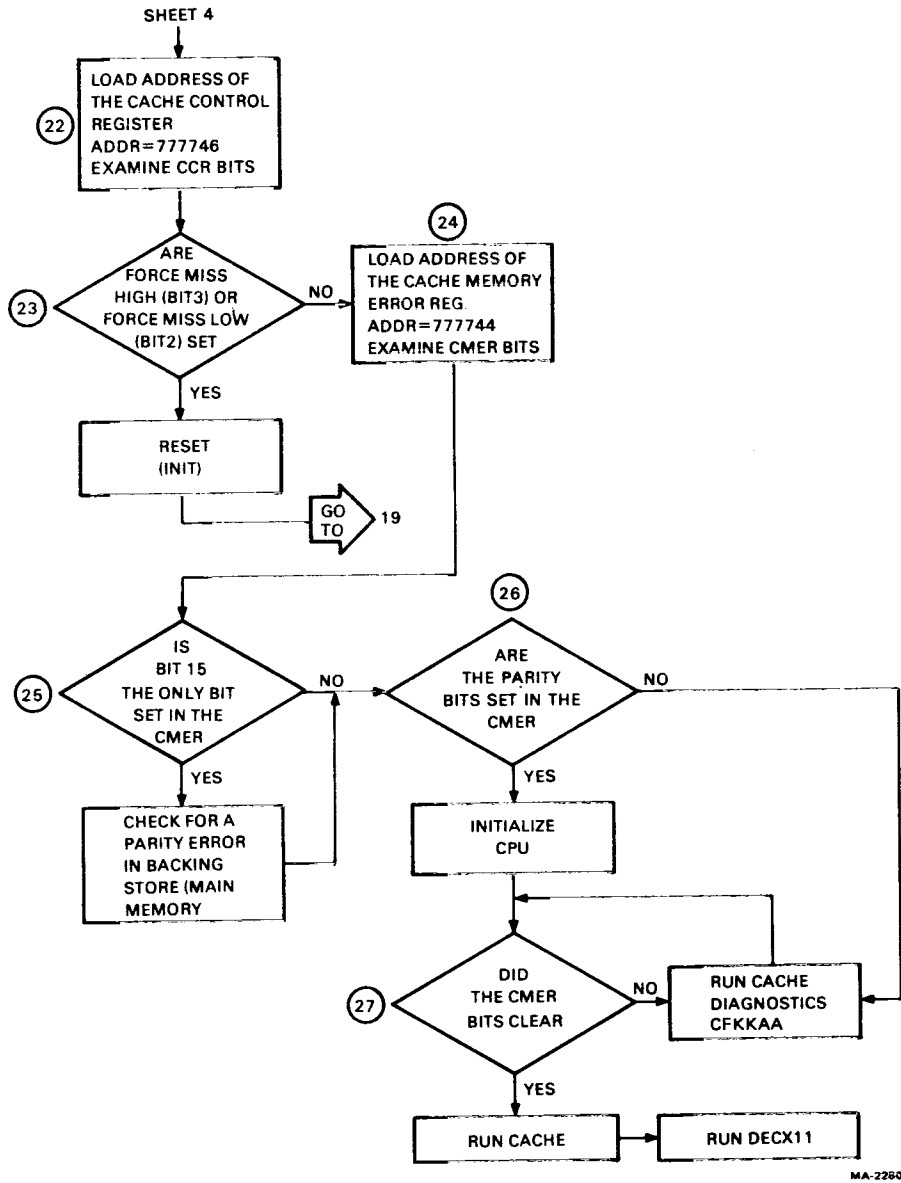
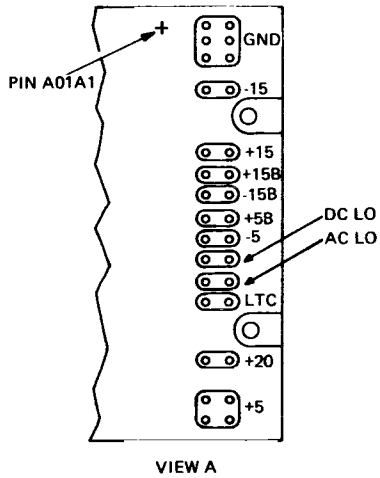
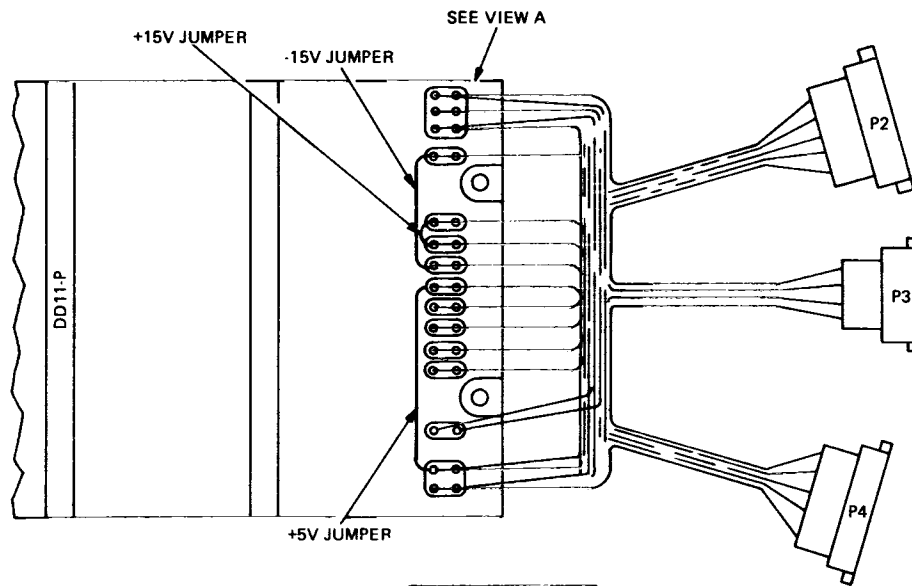


Figure 3-1 Troubleshooting Flowchart
(Sheet 5 of 5)



NOTES

1. JUMPERS SHOWN ARE
 - 15 TO -15B
 - +15 TO +15B
 - +5 TO +5B
2. USE #20 INSULATED BUS WIRE FOR JUMPERS

11-5343

Figure 3-2 Backplane Jumpers

Your comments and suggestions will help us in our continuous effort to improve the quality and usefulness of our publications.

What is your general reaction to this manual? In your judgment is it complete, accurate, well organized, well written, etc.? Is it easy to use? _____

What features are most useful? _____

What faults or errors have you found in the manual? _____

Does this manual satisfy the need you think it was intended to satisfy? _____

Does it satisfy *your* needs? _____ Why? _____

Please send me the current copy of the *Technical Documentation Catalog*, which contains information on the remainder of DIGITAL's technical documentation.

Name _____ Street _____
Title _____ City _____
Company _____ State/Country _____
Department _____ Zip _____

Additional copies of this document are available from:

Digital Equipment Corporation
444 Whitney Street
Northboro, Ma 01532
Attention: Communications Services (NR2/M15)
Customer Services Section

Order No. EK-KK11A-UG-001

Fold Here

Do Not Tear - Fold Here and Staple

FIRST CLASS
PERMIT NO. 33
MAYNARD, MASS.

BUSINESS REPLY MAIL
NO POSTAGE STAMP NECESSARY IF MAILED IN THE UNITED STATES

Postage will be paid by:

Digital Equipment Corporation
Technical Documentation Department
Maynard, Massachusetts 01754

