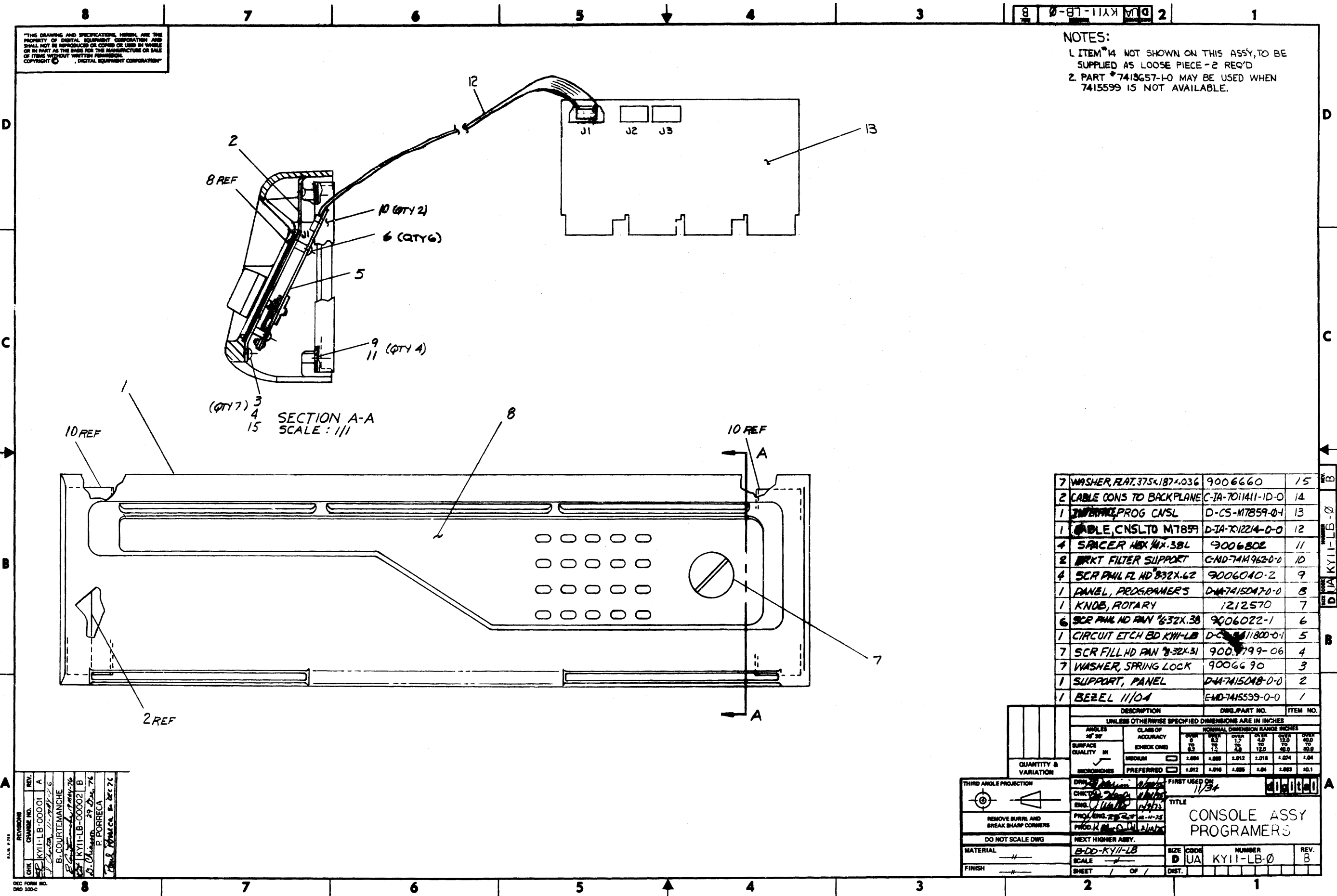


THIS DRAWING AND SPECIFICATIONS HEREIN ARE THE PROPERTY OF DIGITAL EQUIPMENT CORPORATION AND SHALL NOT BE REPRODUCED OR COPIED OR USED IN WHOLE OR IN PART AS THE BASIS FOR THE MANUFACTURE OR SALE OF ITEMS WITHOUT WRITTEN PERMISSION. COPYRIGHT © DIGITAL EQUIPMENT CORPORATION

NOTES:
 1. ITEM #14 NOT SHOWN ON THIS ASSY, TO BE SUPPLIED AS LOOSE PIECE - 2 REQ'D
 2. PART #7413657-1-0 MAY BE USED WHEN 7415599 IS NOT AVAILABLE.



QTY	DESCRIPTION	DWG. PART NO.	ITEM NO.
15	7 WASHER, FLAT, 375x187x.036	9006660	15
14	2 CABLE CONS TO BACKPLANE	C-IA-701411-1D-0	14
13	1 PROGRAMMER'S PROG CNSL	D-CS-M7859-04	13
12	1 CABLE, CNSL TO M7859	D-IA-701224-0-0	12
11	4 SPACER HEX 1/4x.38L	9006802	11
10	2 BRKT FILTER SUPPORT	C-MD-7414962-0-0	10
9	4 SCR PAN FL HD 832x.62	9006040-2	9
8	1 PANEL, PROGRAMMER'S	D-4-7415047-0-0	8
7	1 KNOB, ROTARY	1212570	7
6	6 SCR PAN HD PAN 832x.38	9006022-1	6
5	1 CIRCUIT ETCH BD KY11-LB	D-C-7411800-0-1	5
4	7 SCR FILL HD PAN 832x.31	9006799-06	4
3	7 WASHER, SPRING LOCK	9006690	3
2	1 SUPPORT, PANEL	D-4-7415048-0-0	2
1	1 BEZEL 11/04	E-MD-7415599-0-0	1

QUANTITY & VARIATION		DESCRIPTION		DWG. PART NO.		ITEM NO.	
1	1	1	1	1	1	1	1

THIRD ANGLE PROJECTION		FIRST USED ON	
REMOVE BURR AND BREAK SHARP CORNERS	DO NOT SCALE DWG	11/34	11/34

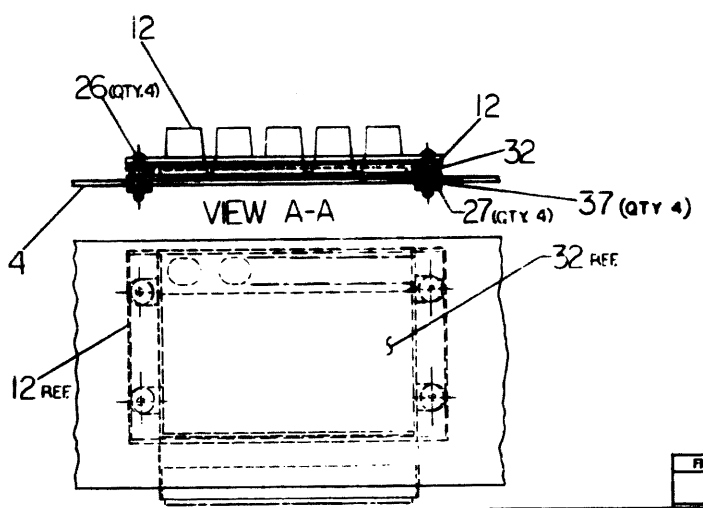
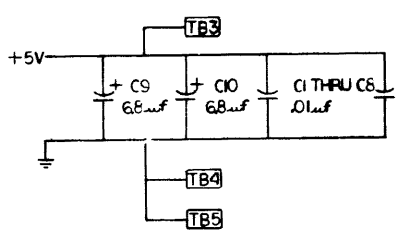
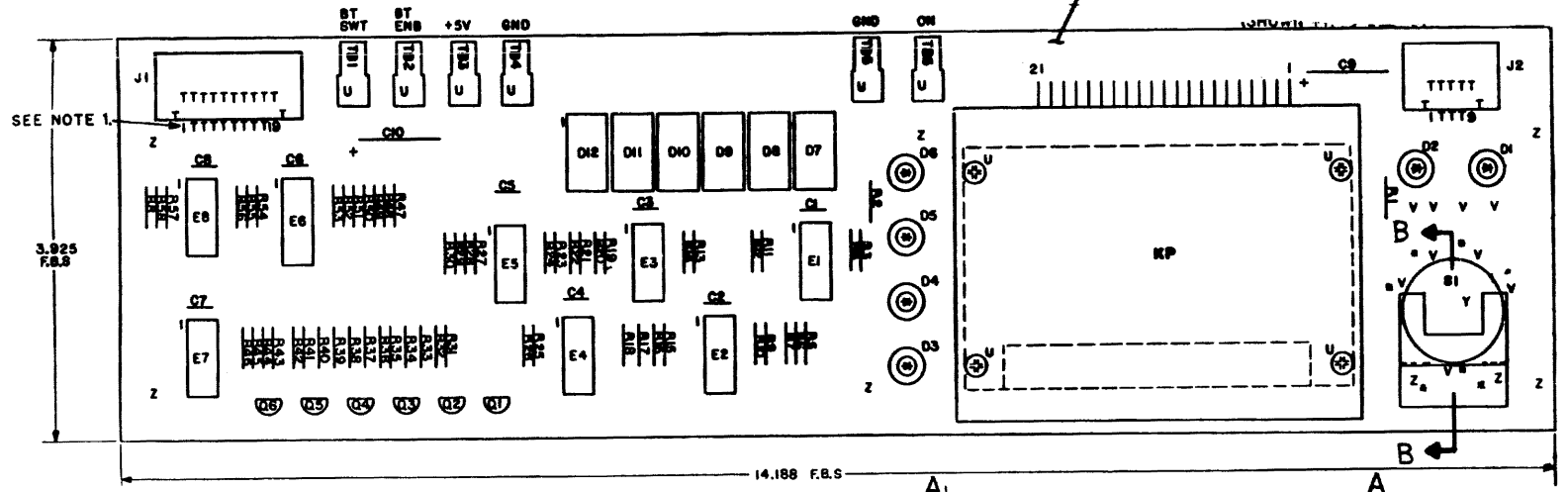
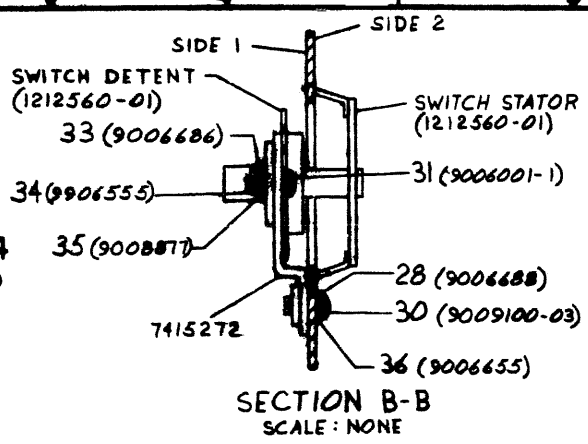
MATERIAL		SCALE		FINISH	
B-DD-KY11-LB	1	1	1	1	1

TITLE		SIZE		CODE		NUMBER		REV.	
CONSOLE ASSY PROGRAMMER'S		D	UA	KY11-LB-0	B				

REV.	DESCRIPTION	DATE
1	REVISED	
2	REVISED	
3	REVISED	
4	REVISED	
5	REVISED	
6	REVISED	
7	REVISED	
8	REVISED	

THIS DRAWING AND SPECIFICATIONS HEREBY ARE THE PROPERTY OF DIGITAL EQUIPMENT CORPORATION AND SHALL NOT BE REPRODUCED OR TRANSMITTED IN ANY FORM OR BY ANY MEANS, ELECTRONIC OR MECHANICAL, INCLUDING PHOTOCOPYING, RECORDING, OR BY ANY INFORMATION STORAGE AND RETRIEVAL SYSTEM, WITHOUT PERMISSION IN WRITING FROM DIGITAL EQUIPMENT CORPORATION.
COPYRIGHT © 1975 DIGITAL EQUIPMENT CORPORATION

NOTES:
1. ARROW ON BOARD IS TO LINE UP WITH ARROW ON CONNECTOR (J1 & J2).



REF	X-Y COORDINATE HOLE LOCATION	K-CO-5411800-6-4	1
REF	ASSY/DRILLING HOLE LAYOUT	D-AH 5411800-6-5	2
REF	MODULE ECO HISTORY	B-MH-5411800-6-6	3
1	ETCHED CIRCUIT BOARD	5011749	4
8 C1 THRU C9	CAPACITOR, .01µf, 100V, 20%	1001610-01	5
2 C9, C10	CAPACITOR, 0.01µf, 35 VDC, 10%	1005300	6
8 B1 THRU B6	DIODE, LIGHT EMITTING	1110004	7
8 B7 THRU B12	7 SEGMENT, DISPLAY	1911297	8
1 J1	CONNECTOR, 20 PIN	1209941-06	9
1 J2	CONNECTOR, 10 PIN	1209941-05	10
1 S1	SWITCH, ROTARY, 3 POSITION	1212560-01	11
1 KP	KEYPAD	1211056	12
8 B7 THRU B12	SOCKET, 14 PIN	1211813-01	13
12 R1, R2, R5, R6, R7, R47 THRU R59	RESISTOR, 150 OHM, 1/4W, 5%	1300250	14
10 R32, R34, R36, R38, R40, R42, R27 THRU R30	RESISTOR, 1K, 1/4W, 5%	1300365	15
8 R81, R33, R35, R37, R39, R41	RESISTOR, 820 OHM, 1/4W, 5%	1303178	16
30 R3, R4, R8 THRU R26, R43 THRU R46, R54 THRU R58	RESISTOR, 10K, 1/4W, 5%	1300479	17
8 Q1 THRU Q8	TRANSISTOR, MPS455	1510706	18
1 E8	I.C. DEC 7404	1000006	19
1 E7	I.C. DEC 7417	1909920	20
1 E6	I.C. DEC 7447A	1911299	21
5 E1 THRU E5	I.C. DEC 0081	1900705	22
8	EYELET	9009000	23
8 TB1 THRU TB6	TERMINAL, QUICK DISCONNECT	9007112	24
6	WASHER, SHOULDER	9008310	25
4	SCREW, PHILLIPS #4/40 x 3/16 LG	9008833-01	26
4	NUT, KEP #4/40	9006987	27
2	WASHER, LOCK #4	9006688	28
1	BRACKET, SWITCH	7415272	29
2	SCREW, PHILLIPS #4/40 x 1/4 LG	9009100-03	30
2	SCREW, PHILLIPS #2-56 X 1/4 LG	9006001-1	31
1	RETAIN, KEY BOARD ASSY	C-1A-703377-0-0	32
2	WASHER, LOCK #2	9006686	33
2	NUT, HEX	9006555	34
2	WASHER, FLAT #2	9008877	35
2	WASHER, FLAT #4	9006655	36
4	WASHER, NYLON	9006706	37

QTY	REF. DESIGNATION	DESCRIPTION	PART NO.	ITEM NO.										
PARTS LIST														
ETCH BOARD REV. C														
<table border="1"> <tr> <td>DRN. J. Wincon</td> <td>DATE 9-19-75</td> </tr> <tr> <td>CHKD. F. S. Gagnon</td> <td>DATE 11-26-75</td> </tr> <tr> <td>ENGR. R. B. Burt</td> <td>DATE 11-26-75</td> </tr> <tr> <td>PROJ. ENR. R. B. Burt</td> <td>DATE 11-26-75</td> </tr> <tr> <td>FILED. R. J. M. C. C.</td> <td>DATE 2-3-76</td> </tr> </table>					DRN. J. Wincon	DATE 9-19-75	CHKD. F. S. Gagnon	DATE 11-26-75	ENGR. R. B. Burt	DATE 11-26-75	PROJ. ENR. R. B. Burt	DATE 11-26-75	FILED. R. J. M. C. C.	DATE 2-3-76
DRN. J. Wincon	DATE 9-19-75													
CHKD. F. S. Gagnon	DATE 11-26-75													
ENGR. R. B. Burt	DATE 11-26-75													
PROJ. ENR. R. B. Burt	DATE 11-26-75													
FILED. R. J. M. C. C.	DATE 2-3-76													
TITLE														
TITLE			KY11-LB (CONSOLE BOARD)											
SIZE CODE	NUMBER	REV.												
D CS	5411800-0-1	D												
SCALE 1 OF 3														
SHEET 1 OF 3														

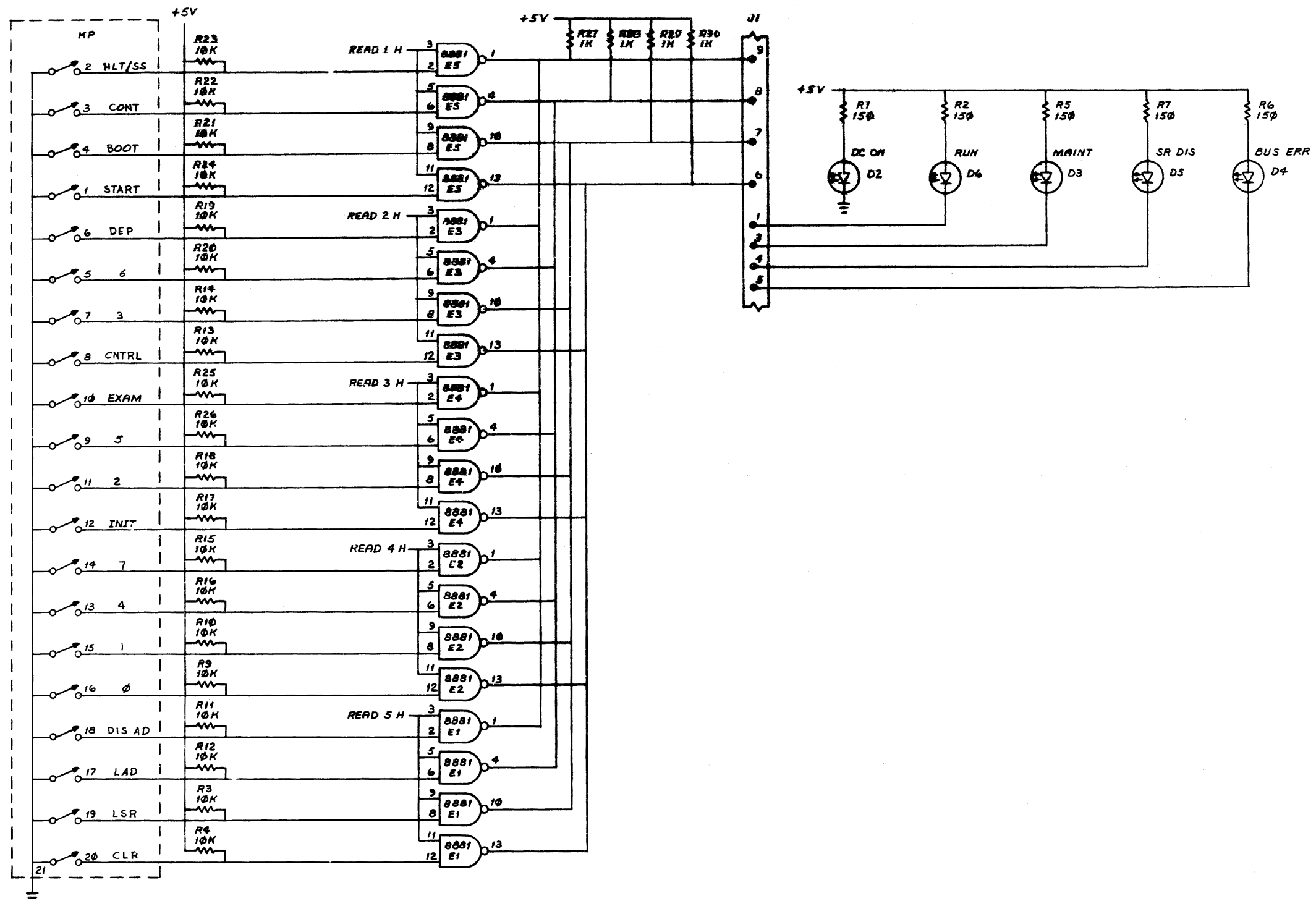
IC TYPE	QTY	LOCATIONS
I.C. DEC 7447A	8	16
IC TYPE	QTY	LOCATIONS
GND AND 5V ARE USUALLY PIN 7 AND 14 RESPECTIVELY EXCEPTS ARE STATED ABOVE		
IC PIN LOCATIONS		

REV.	DATE	BY	CHKD.
1	9-19-75	J. Wincon	
2	11-26-75	F. S. Gagnon	
3	11-26-75	R. B. Burt	
4	11-26-75	R. B. Burt	
5	2-3-76	R. J. M. C. C.	

DEC. NO.	EIA NO.	DEC. NO.	EIA NO.
5411800-00001	C		

REV.	DATE	BY	CHKD.
1	9-19-75	J. Wincon	
2	11-26-75	F. S. Gagnon	
3	11-26-75	R. B. Burt	
4	11-26-75	R. B. Burt	
5	2-3-76	R. J. M. C. C.	

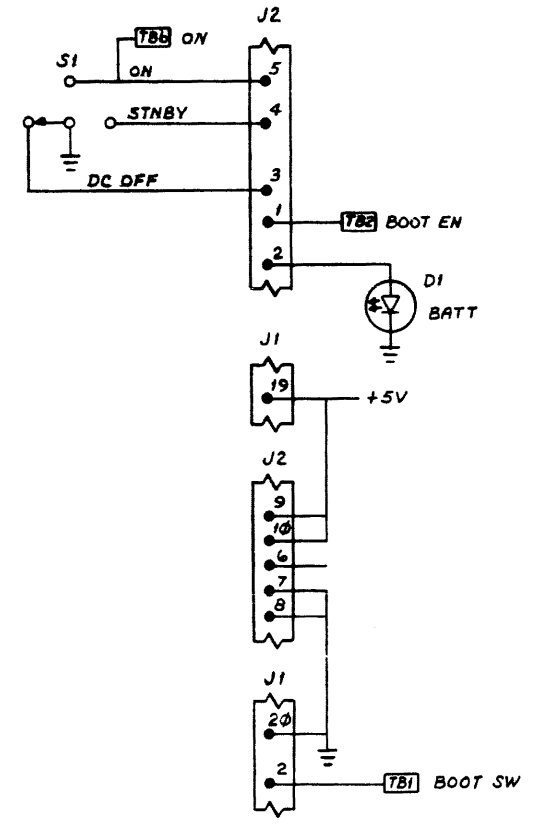
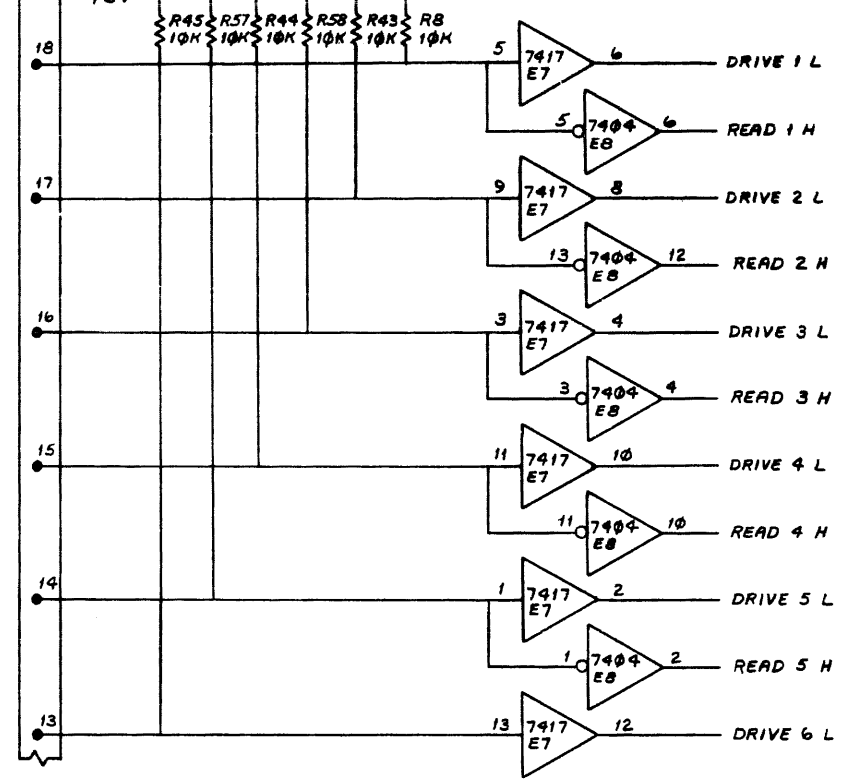
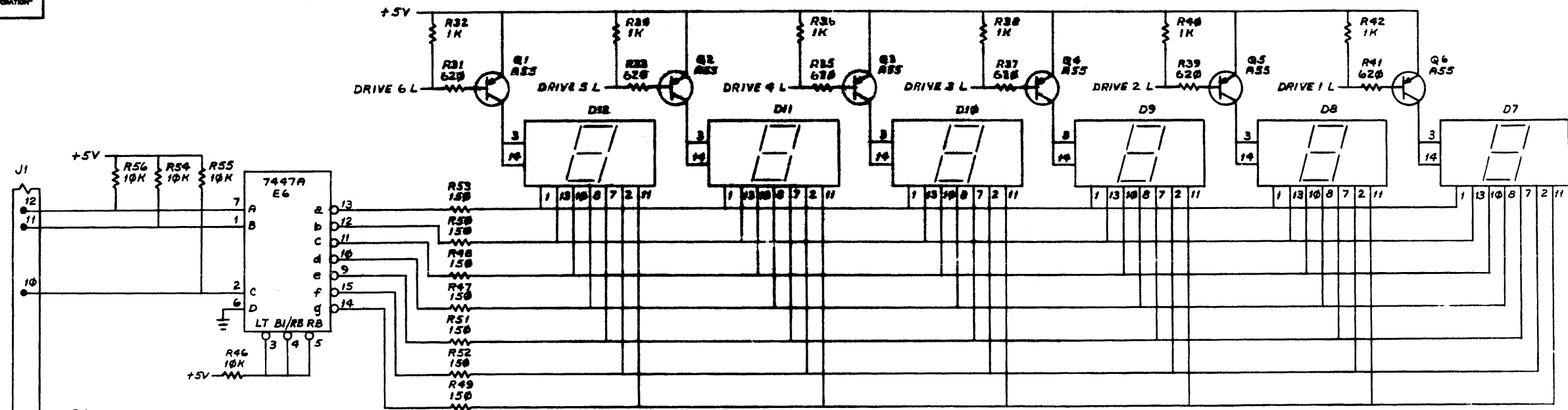
THIS DRAWING AND SPECIFICATIONS HEREON ARE THE PROPERTY OF SPANISH GOVERNMENT CORPORATION AND SHALL BE KEPT AS CONFIDENTIAL OR CLASSIFIED IN WHOLE OR IN PART AS THE CASE MAY BE AND REPRODUCED OR TRANSMITTED IN ANY FORM OR BY ANY MEANS WITHOUT PERMISSION. COPYRIGHT © 1975 SPANISH GOVERNMENT CORPORATION



REVISIONS		
CHK	CHANGE NO.	REV.

DCS 541800-0-1 D

"THIS DRAWING AND SPECIFICATIONS HEREIN ARE THE PROPERTY OF DIGITAL EQUIPMENT CORPORATION AND SHALL NOT BE REPRODUCED OR COPIED OR USED IN WHOLE OR IN PART AS THE BASIS FOR THE MANUFACTURE OR SALE OF ITEMS WITHOUT WRITTEN PERMISSION.
COPYRIGHT © 1975 DIGITAL EQUIPMENT CORPORATION"

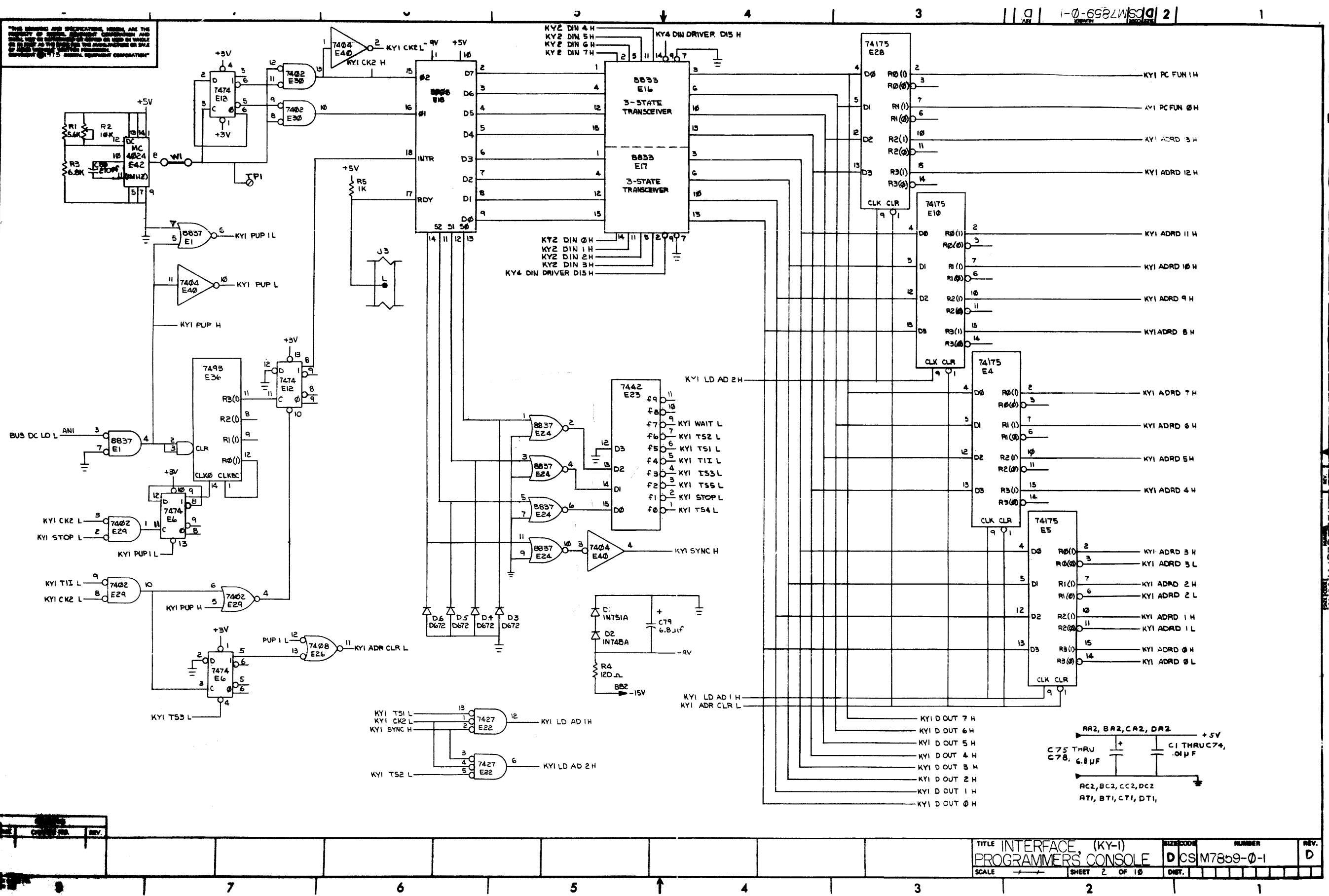


REVISIONS		
CHK	CHANGE NO.	REV.

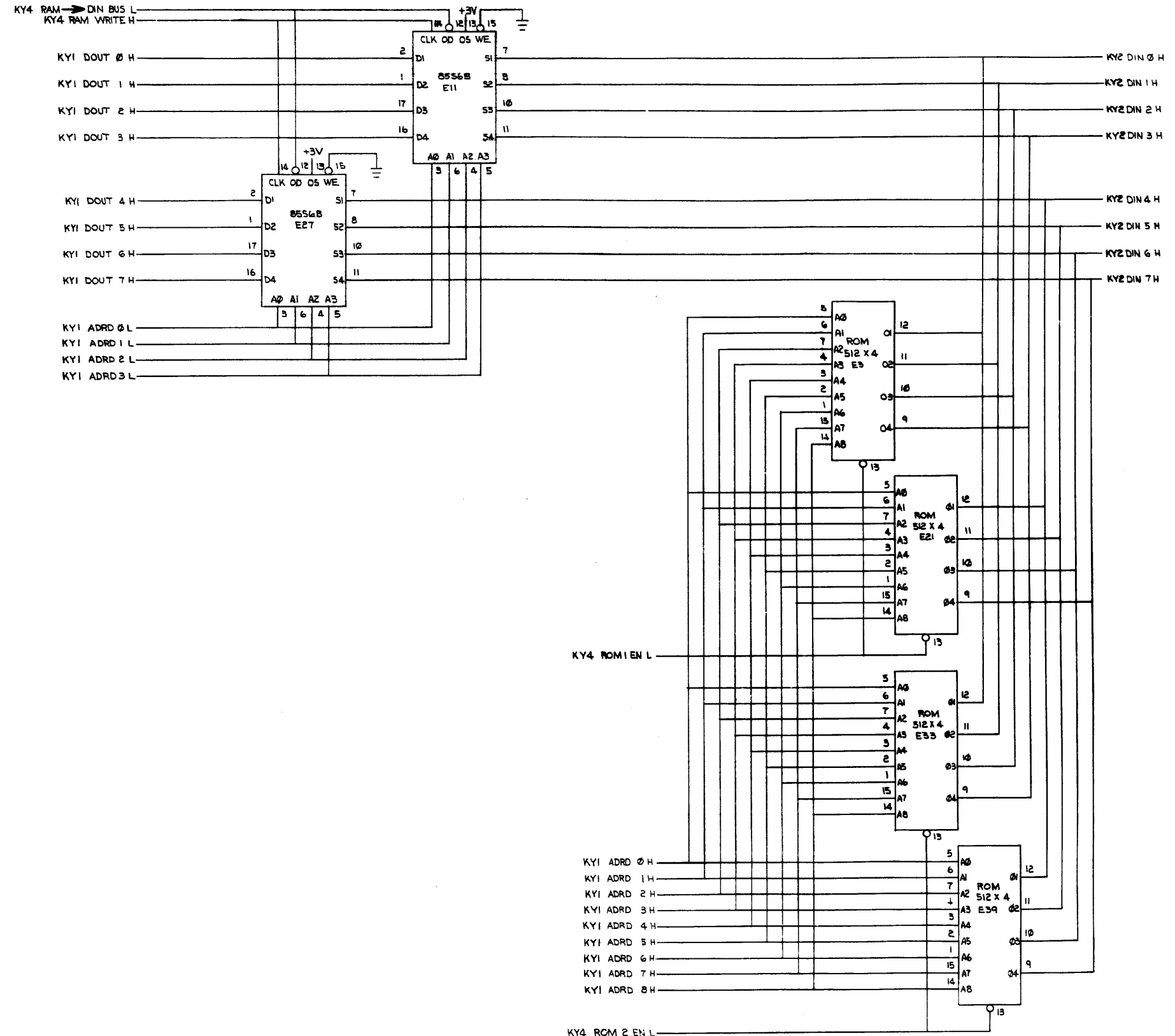
TITLE	KY11-LB (CONSOLE BOARD)	SIZE CODE	NUMBER	REV.
SCALE		SHEET	3 OF 3	D
DIST.				

DCS 5411800-0-1 D

THE DESIGN AND SPECIFICATION HEREIN ARE THE PROPERTY OF DCS, INCORPORATED. NO PART OF THIS DOCUMENT IS TO BE REPRODUCED OR TRANSMITTED IN ANY FORM OR BY ANY MEANS, ELECTRONIC OR MECHANICAL, INCLUDING PHOTOCOPYING, RECORDING, OR BY ANY INFORMATION STORAGE AND RETRIEVAL SYSTEM, WITHOUT THE WRITTEN PERMISSION OF DCS, INCORPORATED.

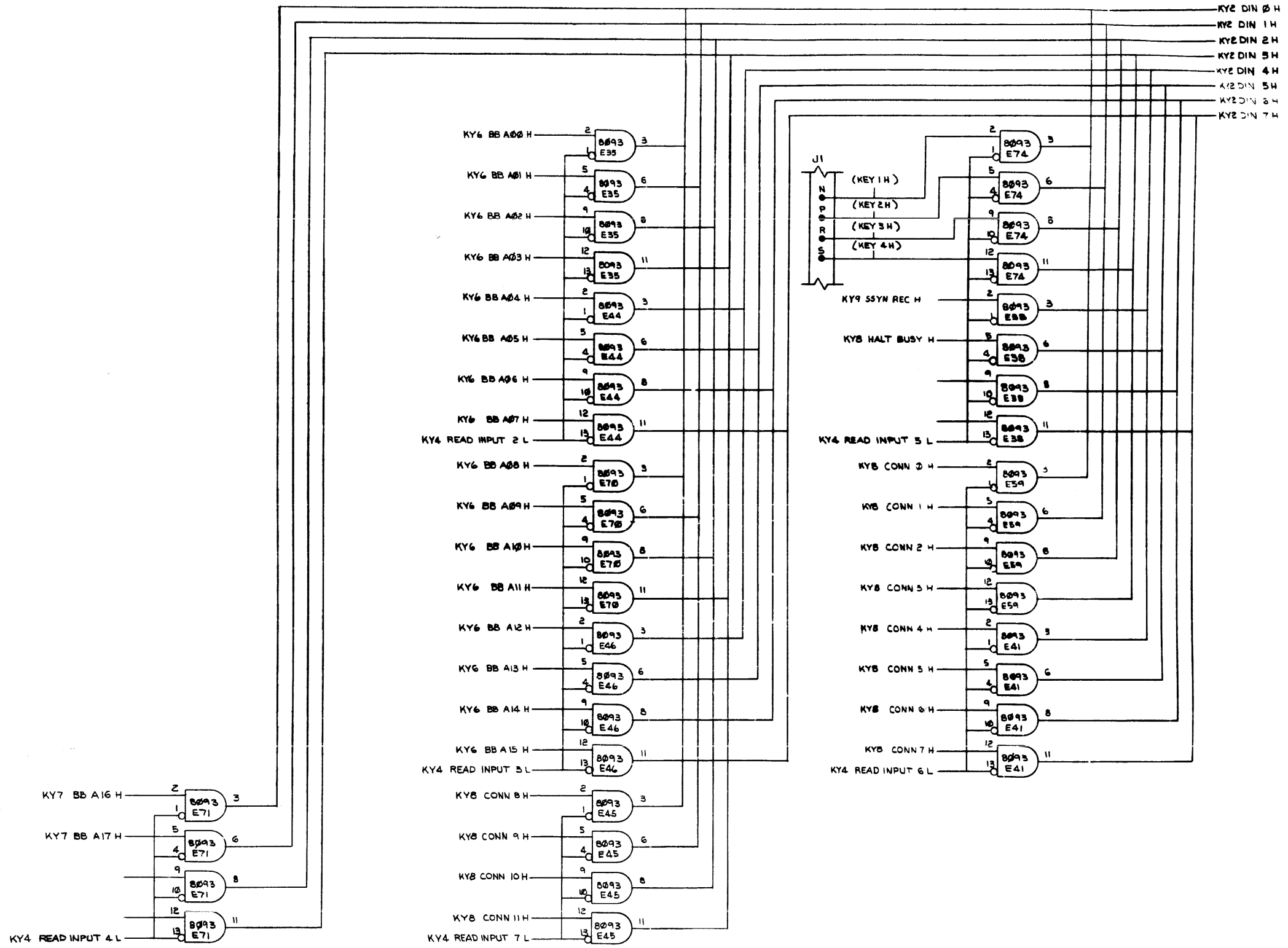


THE SCHEMATIC AND SPECIFICATIONS HEREIN ARE THE PROPERTY OF DIGITAL EQUIPMENT CORPORATION AND SHALL NOT BE REPRODUCED OR USED IN WHOLE OR IN PART AS THE BASIS FOR THE MANUFACTURE OR SALE OF EQUIPMENT WITHOUT WRITTEN PERMISSION. COPYRIGHT © 1975 DIGITAL EQUIPMENT CORPORATION



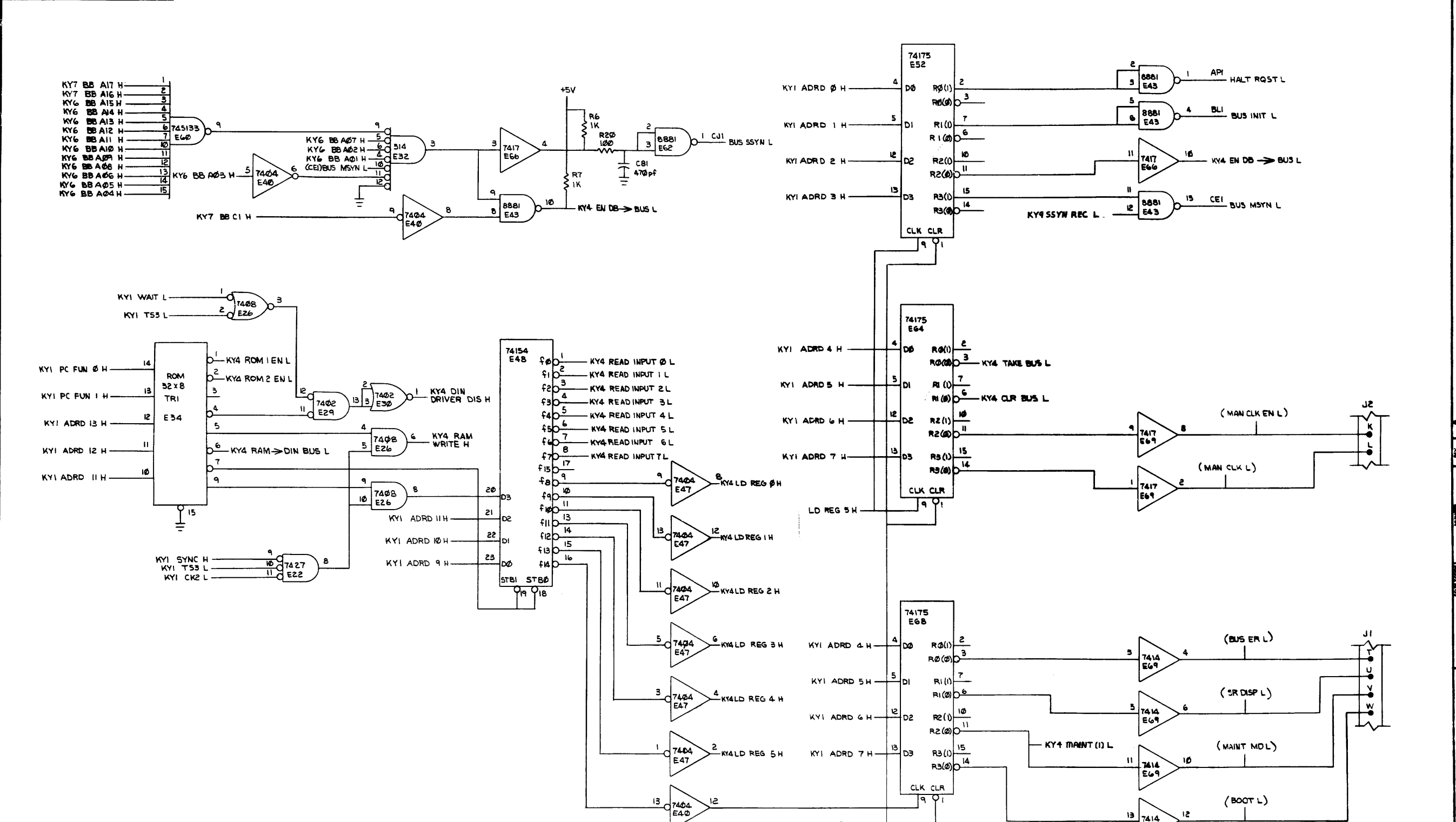
REVISE		
CHK	CHANGE NO.	REV.

THIS DRAWING AND SPECIFICATIONS HEREIN ARE THE PROPERTY OF SPERRY GYROSCOPE CORPORATION AND SHALL NOT BE REPRODUCED OR COPIED OR USED IN WHOLE OR IN PART AS THE BASIS FOR THE MANUFACTURE OR SALE OF ITEMS WITHOUT WRITTEN PERMISSION. COPYRIGHT © 1977 SPERRY GYROSCOPE CORPORATION



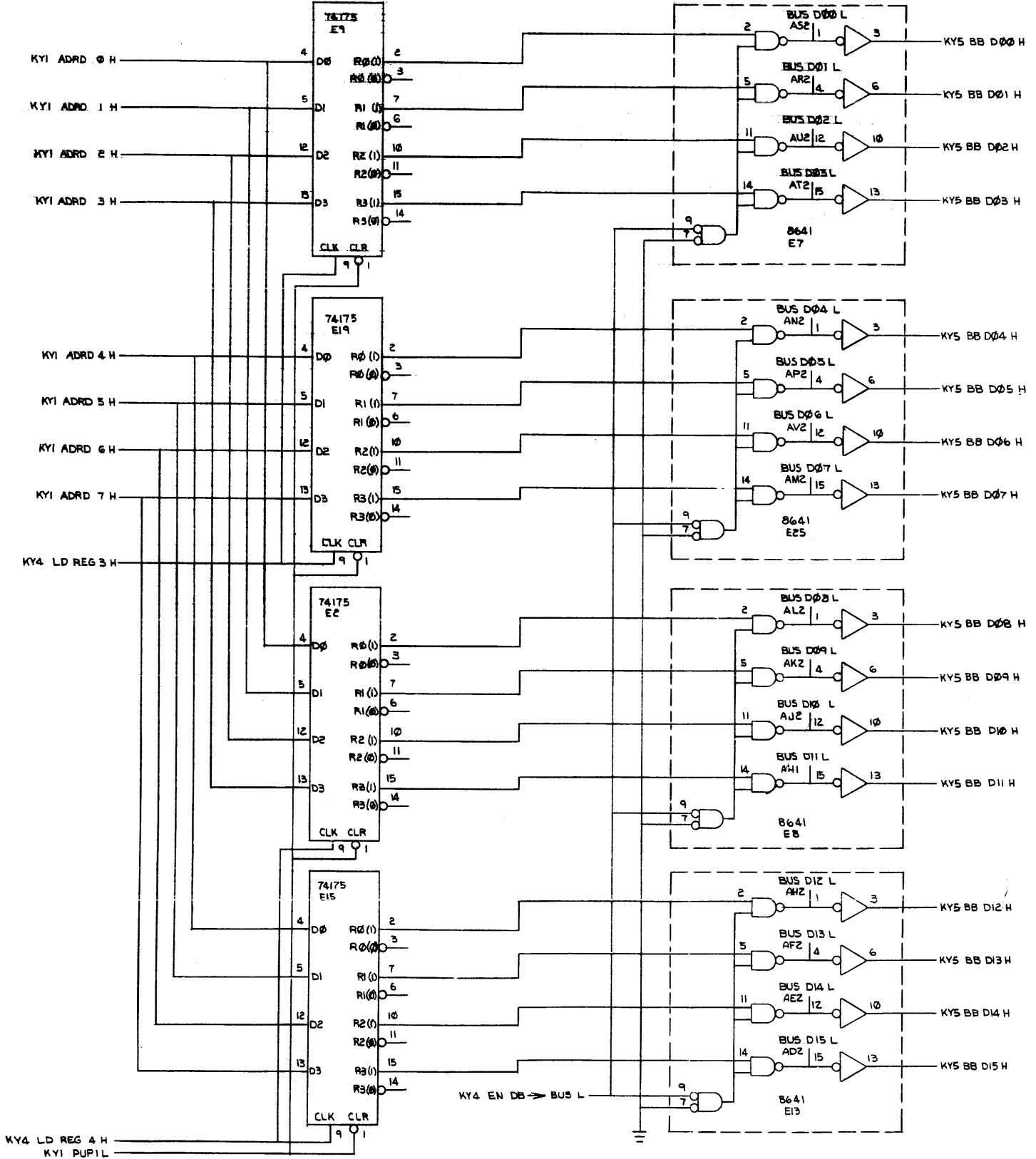
REVISIONS		
CHK	CHANGE NO.	REV.

"THE DRAWING AND SPECIFICATIONS HEREIN ARE THE PROPERTY OF SERIAL EQUIPMENT CORPORATION AND SHALL NOT BE REPRODUCED OR USED IN WHOLE OR IN PART AS THE BASIS FOR THE MANUFACTURE OR SALE OF ITEMS WITHOUT WRITTEN PERMISSION. COPYRIGHT © 1975 SERIAL EQUIPMENT CORPORATION"



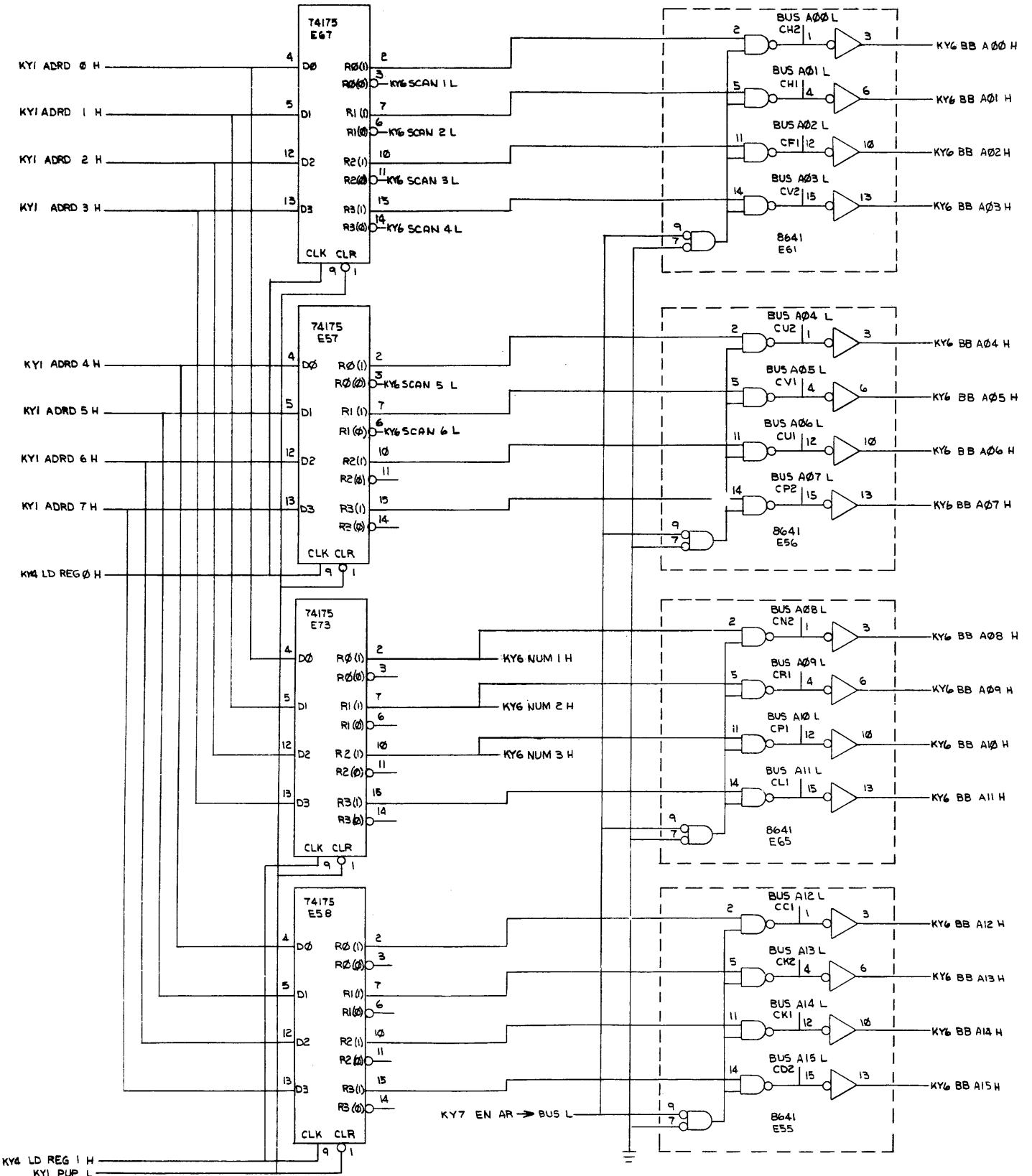
REVISIONS		
CHK	CHANGE NO.	REV.

ALL LOGIC AND MECHANICAL SYMBOLS ARE THE PROPERTY OF THE U.S. GOVERNMENT AND ARE TO BE USED BY ANY PERSON OR ORGANIZATION AT ANY TIME WITHOUT REPRODUCTION OR DISSEMINATION OF THIS DOCUMENT IN ANY FORM OR BY ANY MEANS, ELECTRONIC OR MECHANICAL, INCLUDING PHOTOCOPYING, RECORDING, OR BY ANY INFORMATION STORAGE AND RETRIEVAL SYSTEM.



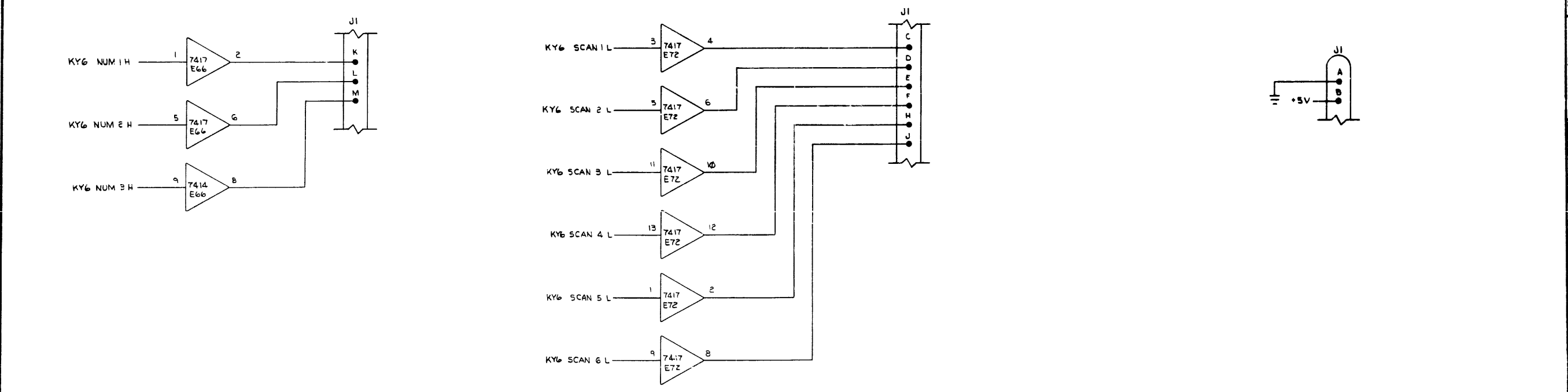
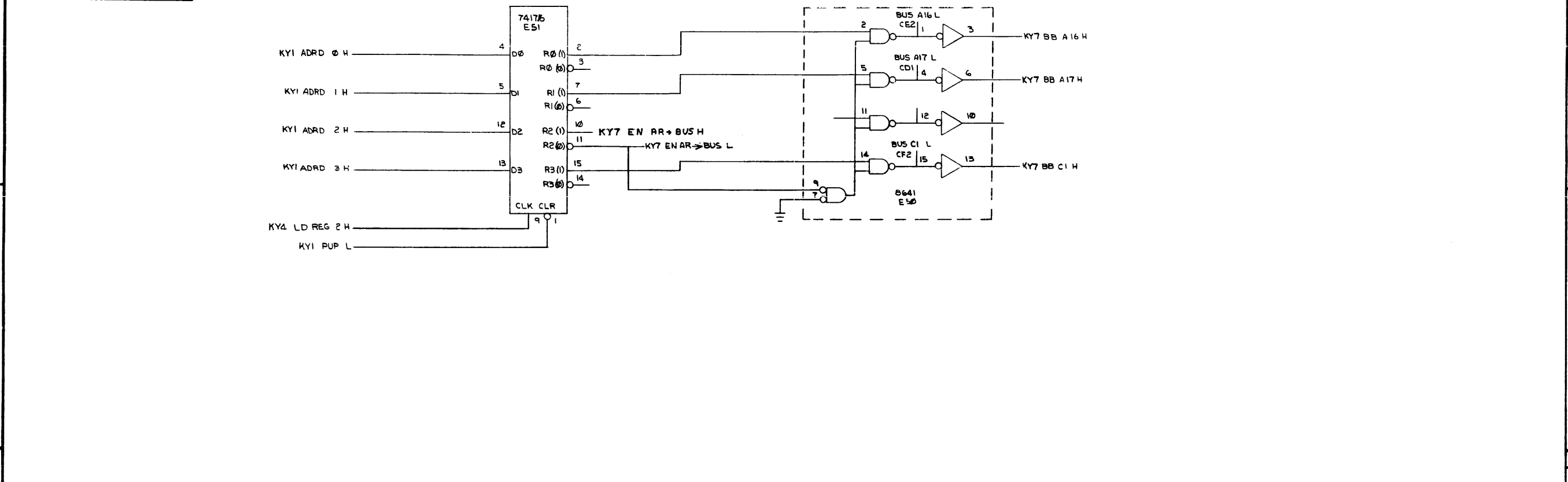
REVISIONS		
CHK	CHANGE NO.	REV.

"THE DRAWING AND SPECIFICATIONS HEREIN ARE THE PROPERTY OF DIGITAL EQUIPMENT CORPORATION AND SHALL NOT BE REPRODUCED OR COPIED OR USED IN WHOLE OR IN PART AS THE BASIS FOR THE MANUFACTURE OR SALE OF ITEMS WITHOUT WRITTEN PERMISSION. COPYRIGHT © 1975 DIGITAL EQUIPMENT CORPORATION"



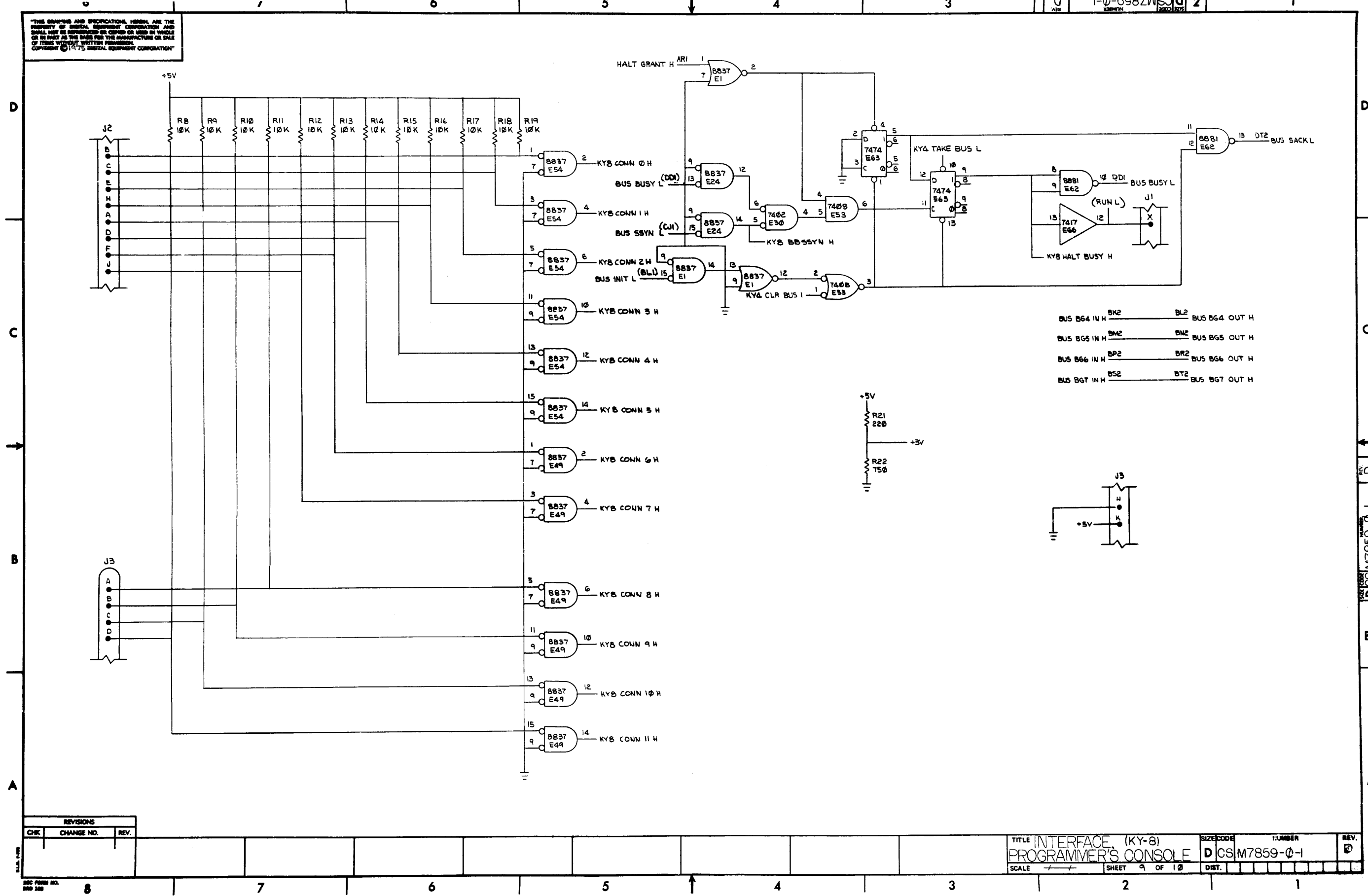
REVISIONS		
CHK	CHANGE NO.	REV.

"THIS DRAWING AND SPECIFICATIONS HEREIN ARE THE PROPERTY OF SPITAL EQUIPMENT CORPORATION AND SHALL NOT BE REPRODUCED OR COPIED OR USED IN WHOLE OR IN PART AS THE BASIS FOR THE MANUFACTURE OR SALE OF ITEMS WITHOUT WRITTEN PERMISSION. COPYRIGHT © SPITAL EQUIPMENT CORPORATION"

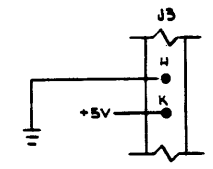
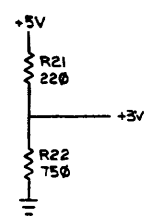


REVISIONS		
CHK	CHANGE NO.	REV.

THIS DRAWING AND SPECIFICATIONS HEREIN ARE THE PROPERTY OF DIGITAL EQUIPMENT CORPORATION AND SHALL NOT BE REPRODUCED OR COPIED OR USED IN WHOLE OR IN PART AS THE BASIS FOR THE MANUFACTURE OR SALE OF ITEMS WITHOUT WRITTEN PERMISSION. COPYRIGHT © 1975 DIGITAL EQUIPMENT CORPORATION

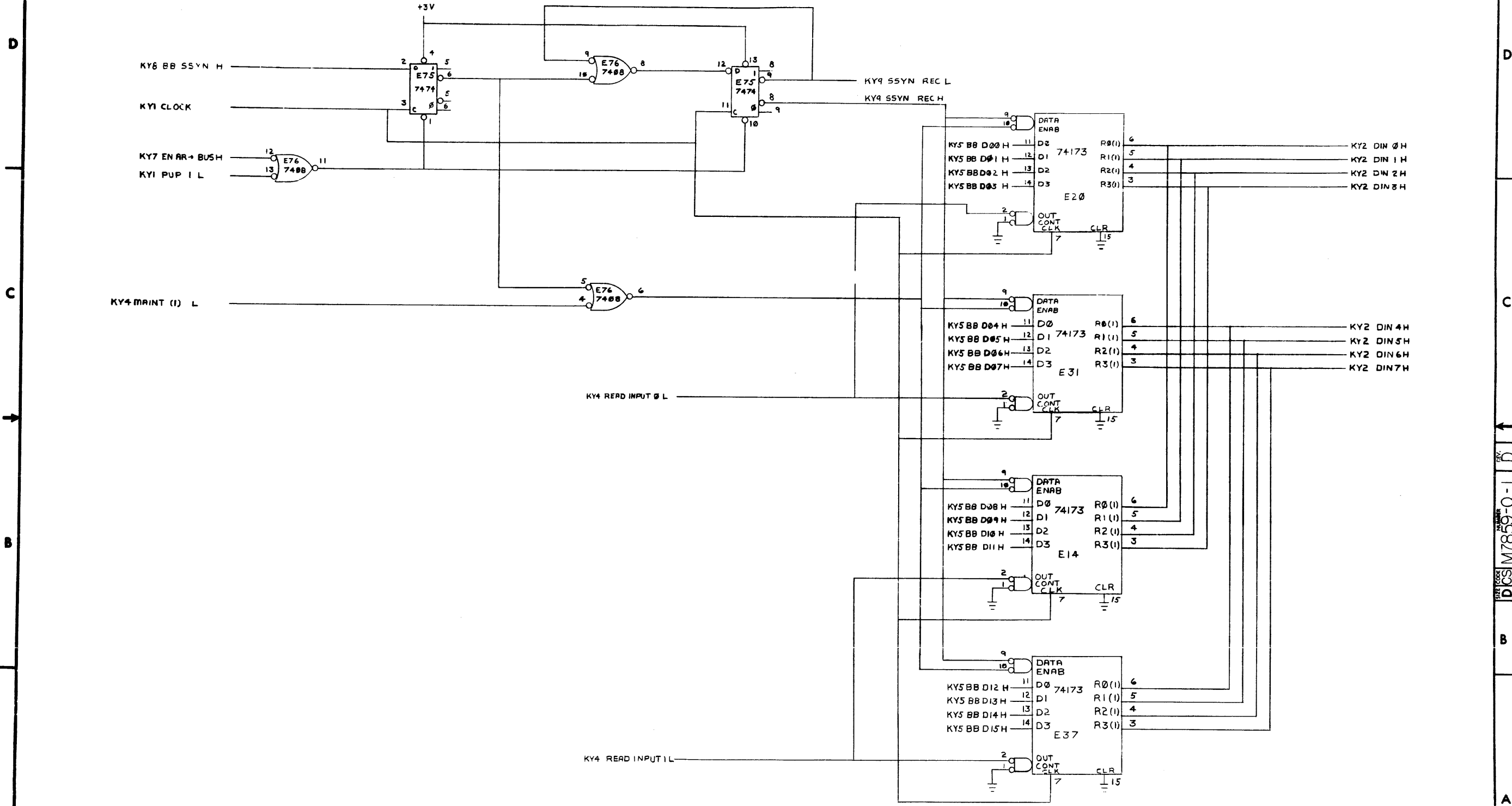


BUS B64 IN H BK2 BL2 BUS B64 OUT H
 BUS B65 IN H BK2 BL2 BUS B65 OUT H
 BUS B66 IN H BP2 BR2 BUS B66 OUT H
 BUS B67 IN H BS2 BT2 BUS B67 OUT H



REVISIONS		
CHK	CHANGE NO.	REV.

THIS DRAWING AND SPECIFICATIONS HEREIN ARE THE PROPERTY OF DIGITAL EQUIPMENT CORPORATION AND SHALL NOT BE REPRODUCED OR COPIED OR USED IN WHOLE OR IN PART AS THE BASIS FOR THE MANUFACTURE OR SALE OF EQUIPMENT WITHOUT WRITTEN PERMISSION OF DIGITAL EQUIPMENT CORPORATION. COPYRIGHT © 1977



REV.	CHANGE NO.	REV.